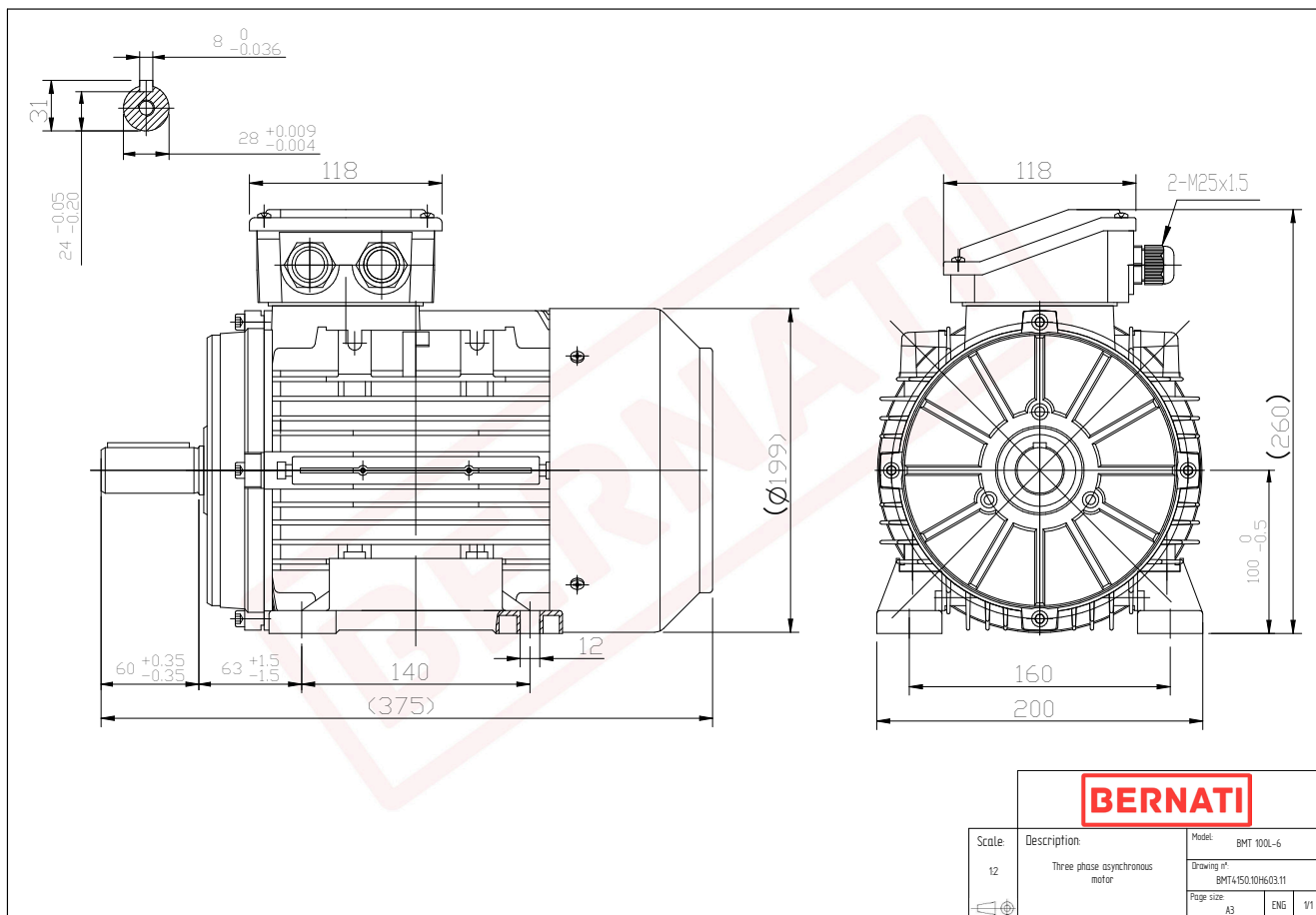


# Technical Datasheet

**BERNATI**

BMT Series - Aluminum frame three phase low voltage electric motor



| <b>BMT</b>           |                   |
|----------------------|-------------------|
| Product Code         | BMT4150.10H603.11 |
| Motor Type/Frame     | BMT 100L-6        |
| Mounting             | IM B3             |
| Efficiency Class     | IE4               |
| Output Power (kW)    | 1.50              |
| Speed (rpm)          | 965               |
| Tension (V)          | 230/400           |
| Frequency (Hz)       | 50                |
| Current (A)          | 3.50              |
| Power factor (Cos Ø) | 0.70              |
| Poles                | 6                 |
| Insulation Class     | F                 |
| IP Class             | IP55              |
| 50% Efficiency       | 84.5              |
| 75% Efficiency       | 86.2              |
| 100% Efficiency      | 85.9              |
| Torque (Nm)          | 15.50             |
| Tstart / Tnominal    | 2.70              |
| Istart / Inominal    | 6.50              |
| Tmax / Tnominal      | 1.90              |
| Noise (dB)           | 61                |
| PTC Thermistor       | PTC 130           |
| Weight (Kg)          | 28                |
| DE Bearing           | 6206 2RZ C3       |
| NDE Bearing          | 6206 2RZ C3       |