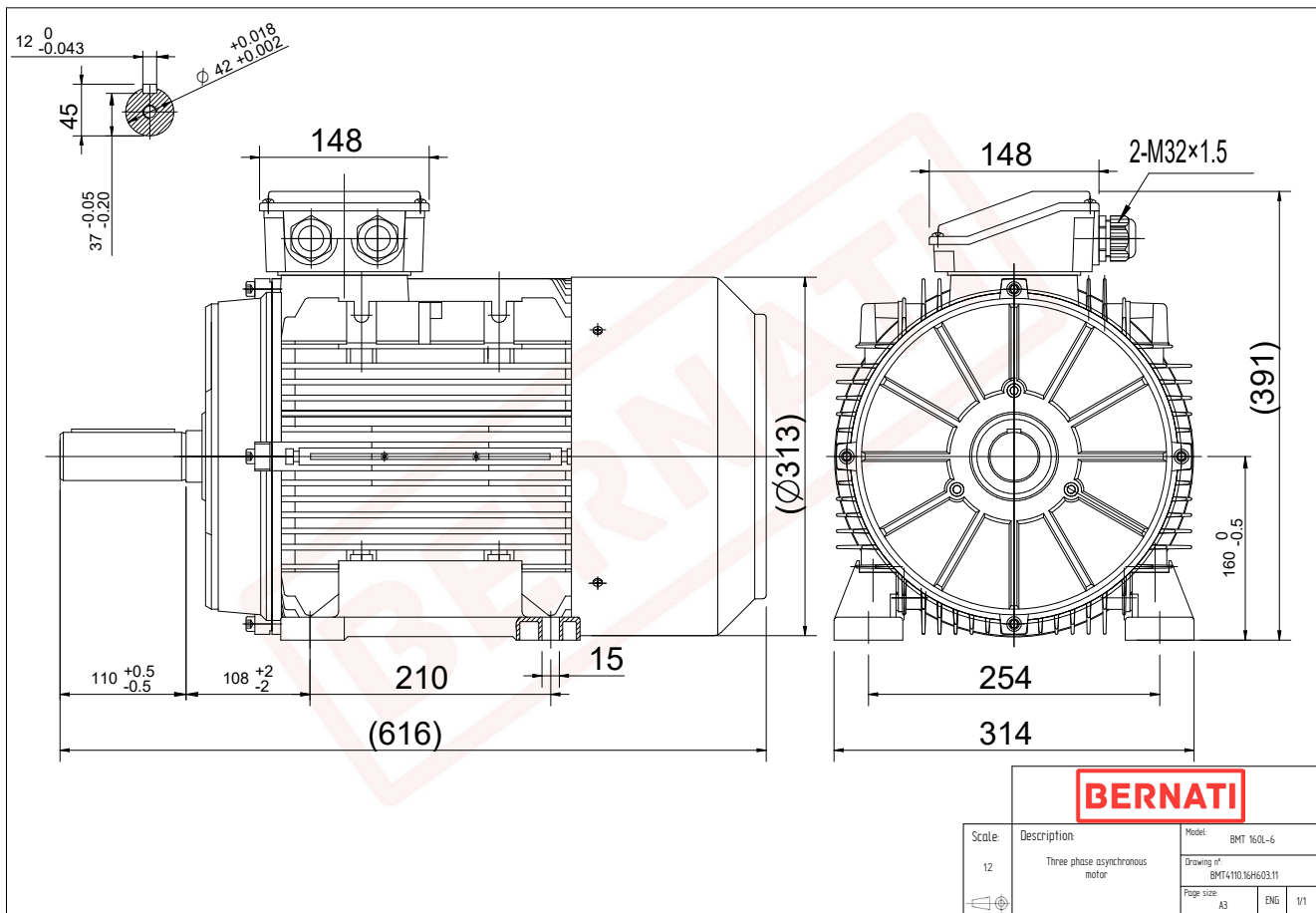


## BMT Series - Aluminum frame three phase low voltage electric motor



<b>BMT</b>	
Product Code	BMT4110.16H603.11
Motor Type/Frame	BMT 160L-6
Mounting	IM B3
Efficiency Class	IE4
Output Power (kW)	11.00
Speed (rpm)	980
Tension (V)	230/400
Frequency (Hz)	50
Current (A)	22.30
Power factor (Cos Ø)	0.80
Poles	6
Insulation Class	F
IP Class	IP55
50% Efficiency	91.2
75% Efficiency	92.6
100% Efficiency	92.3
Torque (Nm)	111.70
Tstart / Tnominal	3.40
Istart / Inominal	8.50
Tmax / Tnominal	1.80
Noise (dB)	73
PTC Thermistor	PTC 130
Weight (Kg)	120
DE Bearing	6309 2RZ C3
NDE Bearing	6209 2RZ C3