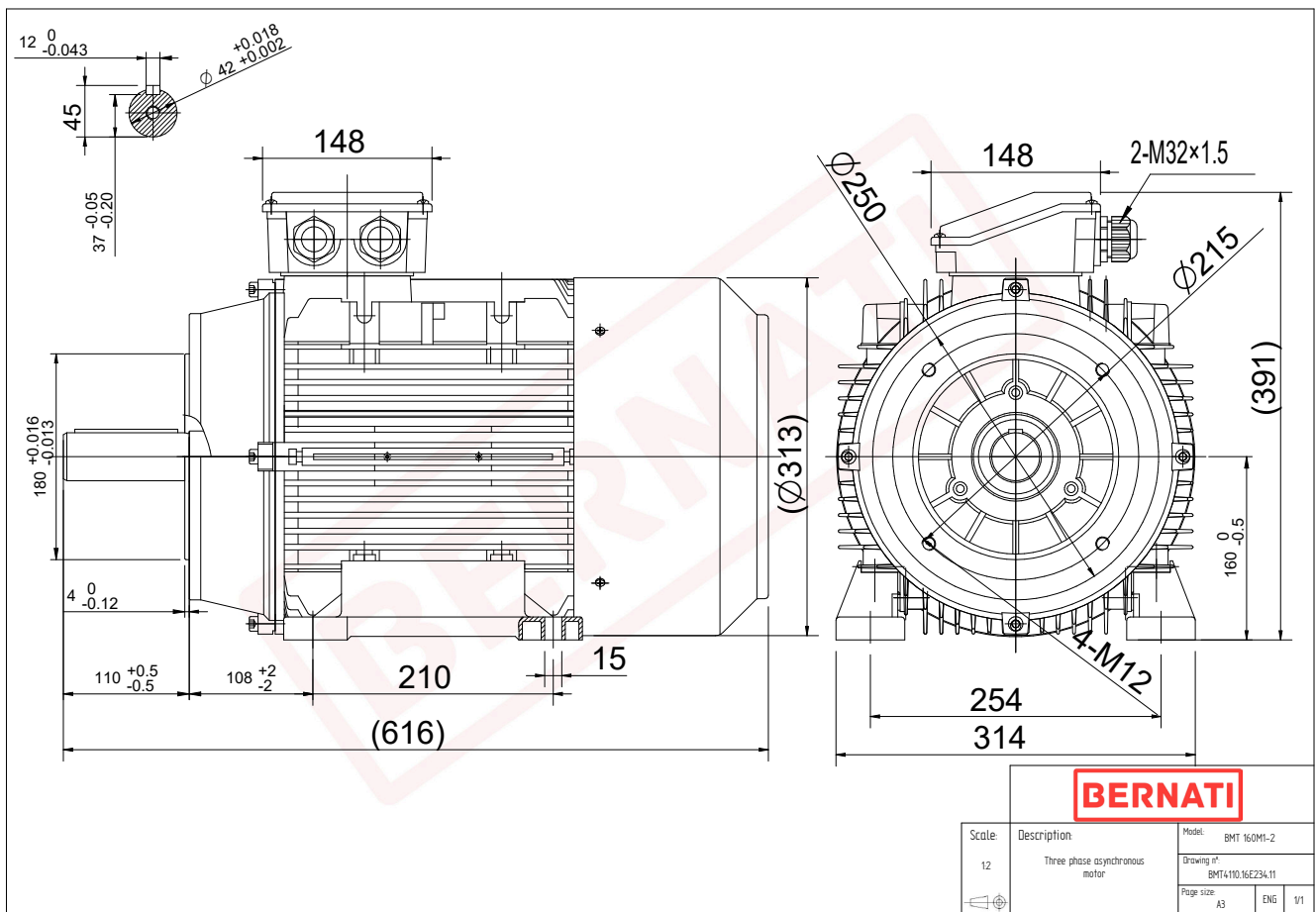


Technical Datasheet



BMT Series - Aluminum frame three phase low voltage electric motor



BMT	
Product Code	BMT4110.16E234.11
Motor Type/Frame	BMT 160M1-2
Mounting	IM B3/B14
Efficiency Class	IE4
Output Power (kW)	11.00
Speed (rpm)	2950
Tension (V)	230/400
Frequency (Hz)	50
Current (A)	18.80
Power factor (Cos Ø)	0.90
Poles	2
Insulation Class	F
IP Class	IP55
50% Efficiency	92.1
75% Efficiency	93.2
100% Efficiency	92.6
Torque (Nm)	37.10
Tstart / Tnominal	3.50
Istart / Inominal	10.00
Tmax / Tnominal	2.50
Noise (dB)	86
PTC Thermistor	PTC 130
Weight (Kg)	95
DE Bearing	6309 2RZ C3
NDE Bearing	6209 2RZ C3