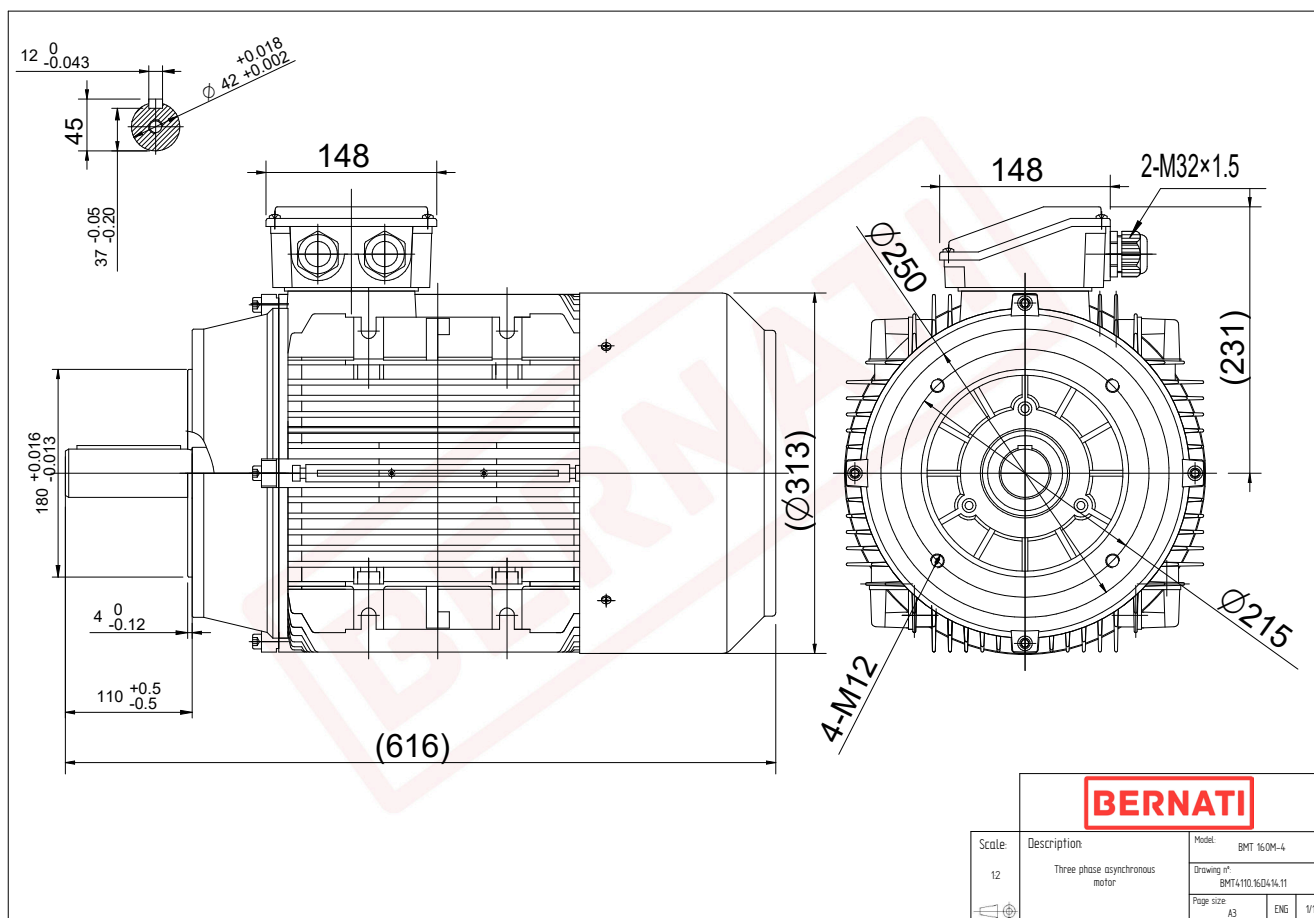


# Technical Datasheet

**BERNATI**

BMT Series - Aluminum frame three phase low voltage electric motor



BMT	
Product Code	BMT4110.16D414.11
Motor Type/Frame	BMT 160M-4
Mounting	IM B14
Efficiency Class	IE4
Output Power (kW)	11.00
Speed (rpm)	1475
Tension (V)	230/400
Frequency (Hz)	50
Current (A)	20.70
Power factor (Cos Ø)	0.80
Poles	4
Insulation Class	F
IP Class	IP55
50% Efficiency	92.8
75% Efficiency	93.5
100% Efficiency	93.3
Torque (Nm)	74.20
Tstart / Tnominal	2.80
Istart / Inominal	9.10
Tmax / Tnominal	2.20
Noise (dB)	75
PTC Thermistor	PTC 130
Weight (Kg)	100
DE Bearing	6309 2RZ C3
NDE Bearing	6209 2RZ C3