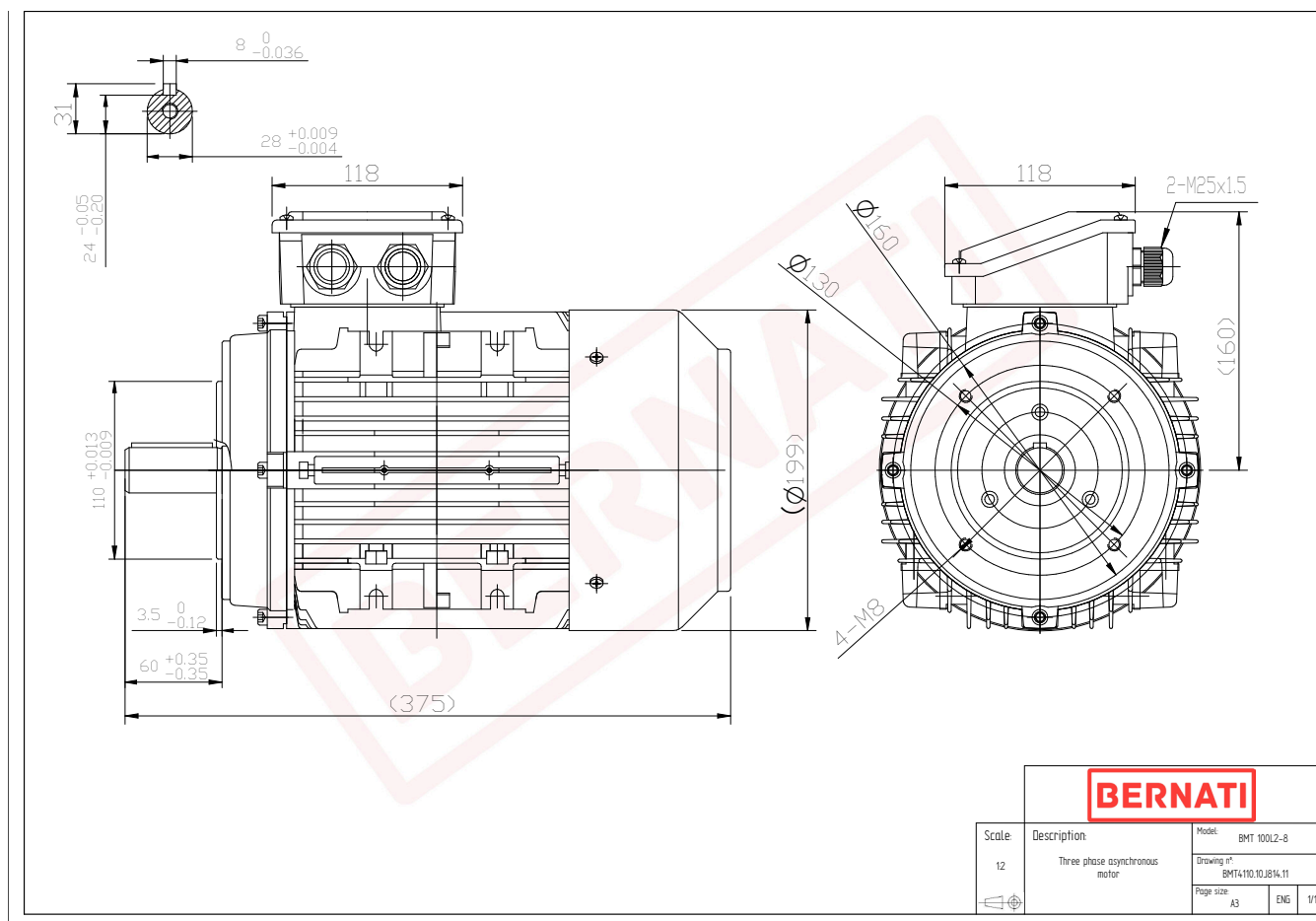


## BMT Series - Aluminum frame three phase low voltage electric motor



### BMT

Product Code	BMT4110.10J814.11
Motor Type/Frame	BMT 100L2-8
Mounting	IM B14
Efficiency Class	IE4
Output Power (kW)	1.10
Speed (rpm)	710
Tension (V)	230/400
Frequency (Hz)	50
Current (A)	3.10
Power factor (Cos Ø)	0.60
Poles	8
Insulation Class	F
IP Class	IP55
50% Efficiency	78.1
75% Efficiency	80.7
100% Efficiency	80.8
Torque (Nm)	15.40
Tstart / Tnominal	2.30
Istart / Inominal	4.50
Tmax / Tnominal	1.80
Noise (dB)	59
PTC Thermistor	PTC 130
Weight (Kg)	26
DE Bearing	6206 2RZ C3
NDE Bearing	6206 2RZ C3