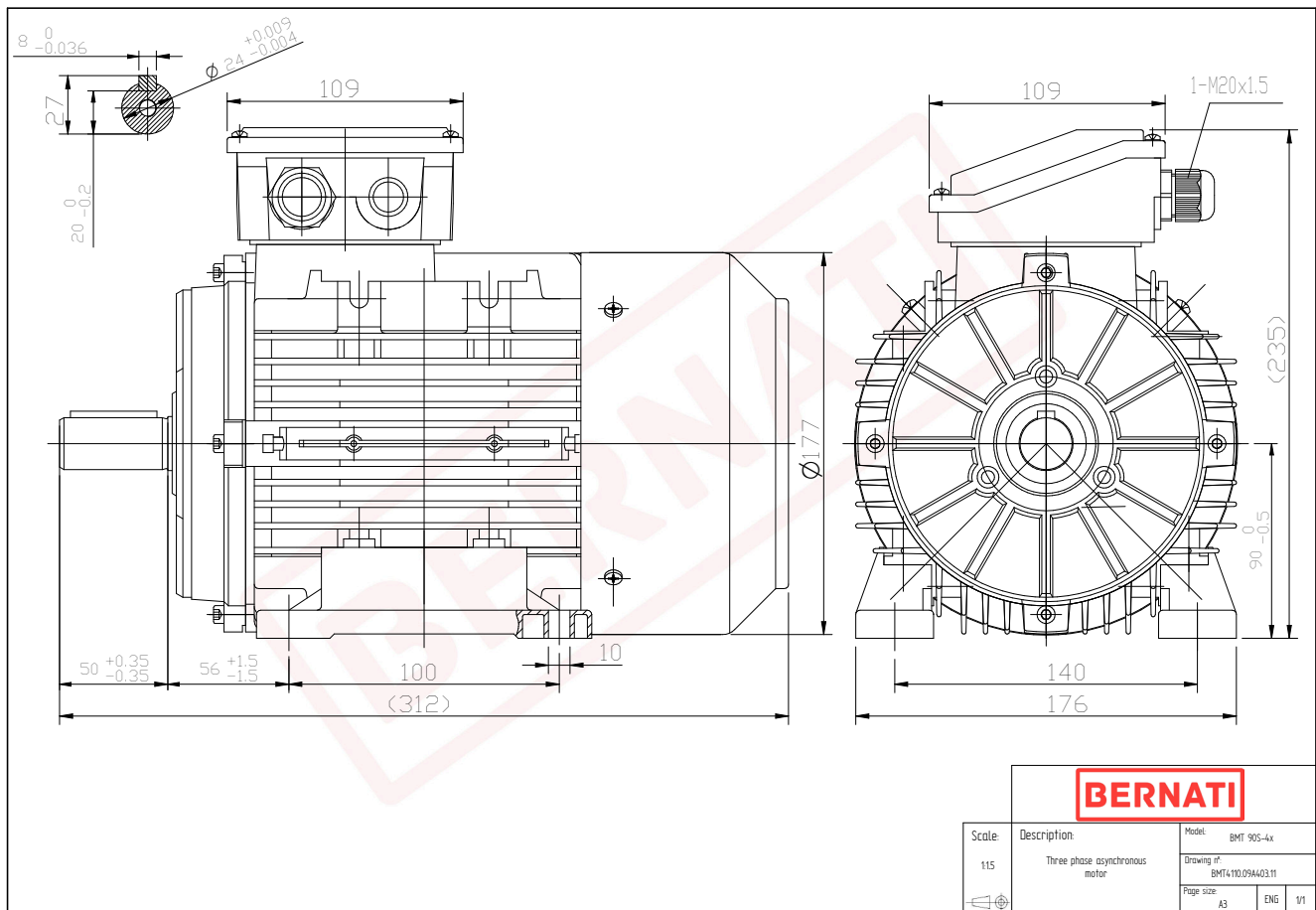


BMT Series - Aluminum frame three phase low voltage electric motor



BMT	
Product Code	BMT4110.09A403.11
Motor Type/Frame	BMT 90S-4x
Mounting	IM B3
Efficiency Class	IE4
Output Power (kW)	1.10
Speed (rpm)	1435
Tension (V)	230/400
Frequency (Hz)	50
Current (A)	2.60
Power factor (Cos Ø)	0.70
Poles	4
Insulation Class	F
IP Class	IP55
50% Efficiency	84.4
75% Efficiency	87.1
100% Efficiency	87.2
Torque (Nm)	7.60
Tstart / Tnominal	4.80
Istart / Inominal	8.20
Tmax / Tnominal	3.80
Noise (dB)	61
PTC Thermistor	PTC 130
Weight (Kg)	18
DE Bearing	6205 2RZ C3
NDE Bearing	6205 2RZ C3