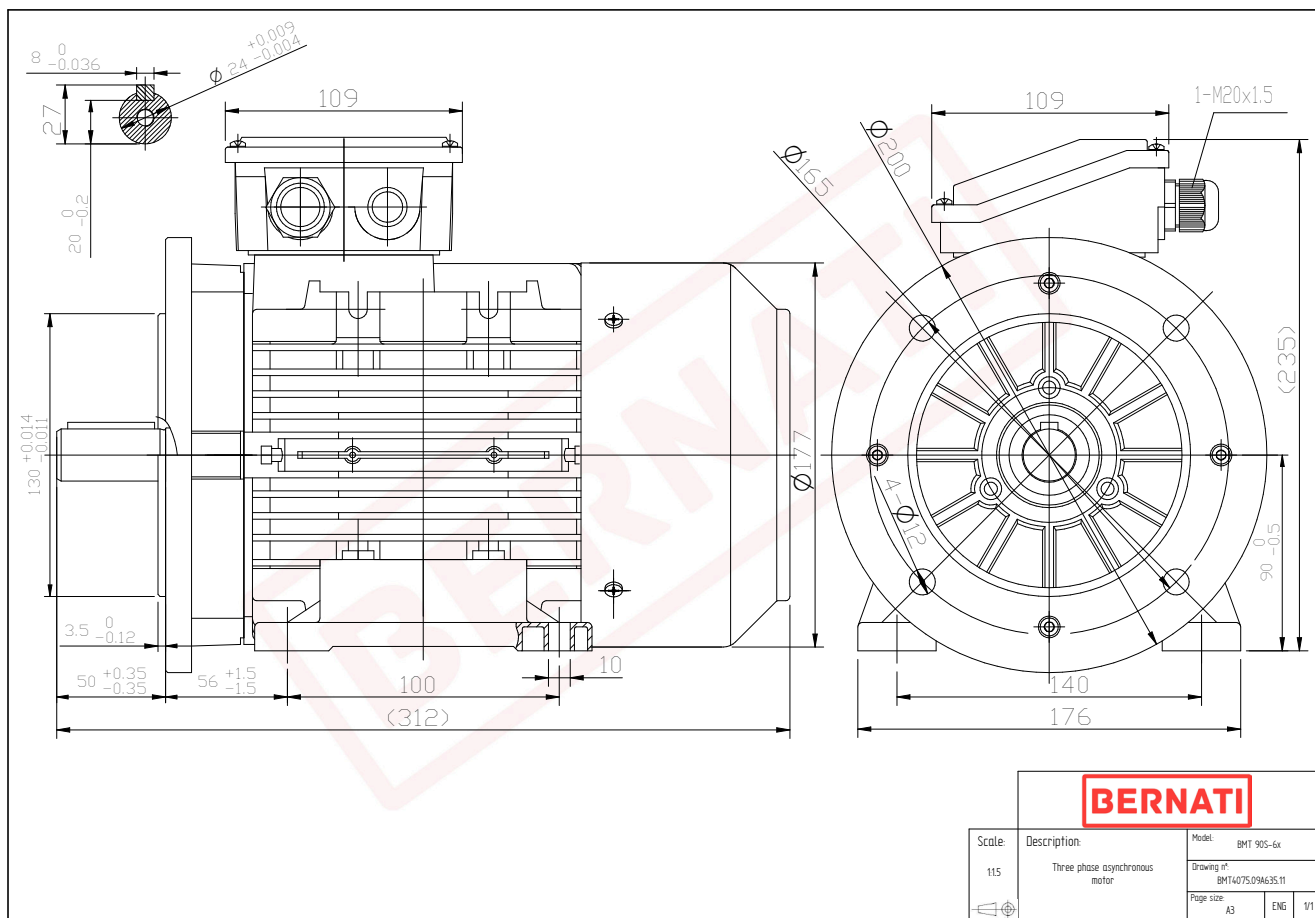


BMT Series - Aluminum frame three phase low voltage electric motor



BMT

Product Code	BMT4075.09A635.11
Motor Type/Frame	BMT 90S-6x
Mounting	IM B3/B5
Efficiency Class	IE4
Output Power (kW)	0.75
Speed (rpm)	960
Tension (V)	230/400
Frequency (Hz)	50
Current (A)	2.10
Power factor (Cos Ø)	0.60
Poles	6
Insulation Class	F
IP Class	IP55
50% Efficiency	77.7
75% Efficiency	81.6
100% Efficiency	82.7
Torque (Nm)	7.80
Tstart / Tnominal	2.80
Istart / Inominal	5.70
Tmax / Tnominal	2.40
Noise (dB)	59
PTC Thermistor	PTC 130
Weight (Kg)	16
DE Bearing	6205 2RZ C3
NDE Bearing	6205 2RZ C3