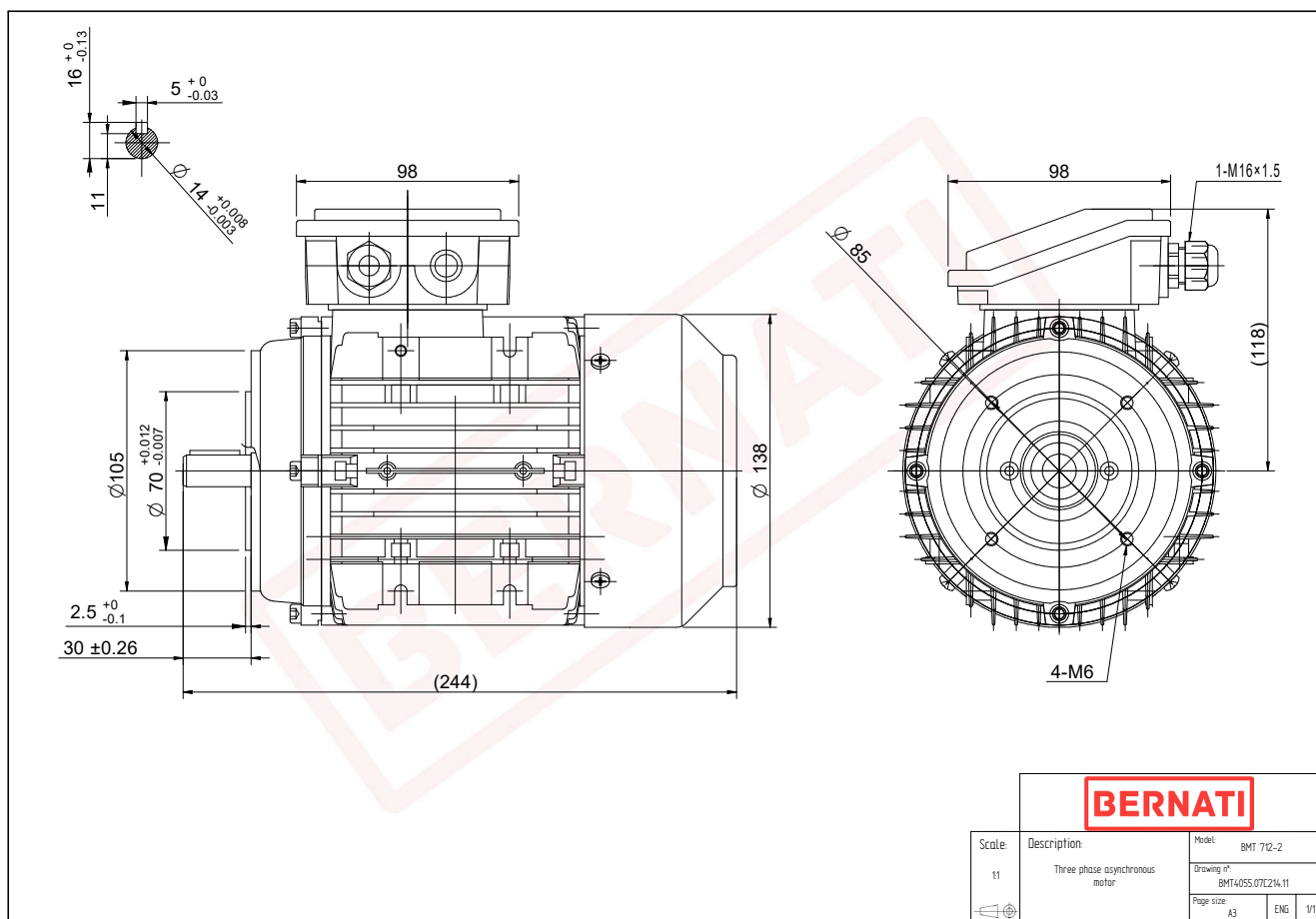


# Technical Datasheet

**BERNATI**

## BMT Series - Aluminum frame three phase low voltage electric motor



### BMT

Product Code	BMT4055.07C214.11
Motor Type/Frame	BMT 712-2
Mounting	IM B14
Efficiency Class	IE4
Output Power (kW)	0.55
Speed (rpm)	2890
Tension (V)	230/400
Frequency (Hz)	50
Current (A)	1.20
Power factor (Cos Ø)	0.80
Poles	2
Insulation Class	F
IP Class	IP55
50% Efficiency	77.9
75% Efficiency	81.1
100% Efficiency	81.5
Torque (Nm)	1.90
Tstart / Tnominal	2.90
Istart / Inominal	6.80
Tmax / Tnominal	3.50
Noise (dB)	64
PTC Thermistor	PTC 130
Weight (Kg)	7
DE Bearing	6202 2RZ C3
NDE Bearing	6202 2RZ C3