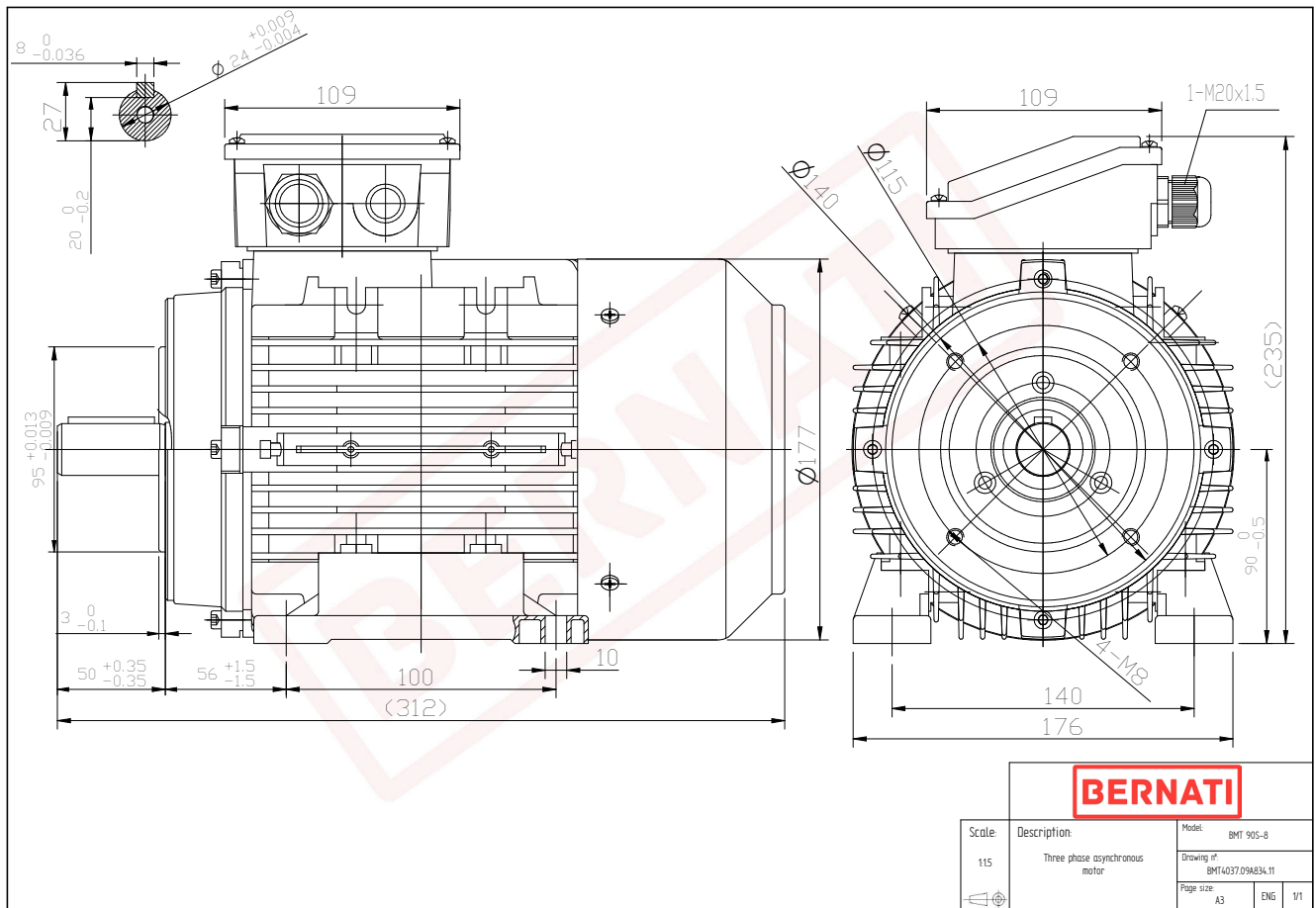


## BMT Series - Aluminum frame three phase low voltage electric motor



<b>BMT</b>	
Product Code	BMT4037.09A834.11
Motor Type/Frame	BMT 90S-8
Mounting	IM B3/B14
Efficiency Class	IE4
Output Power (kW)	0.37
Speed (rpm)	715
Tension (V)	230/400
Frequency (Hz)	50
Current (A)	1.40
Power factor (Cos Ø)	0.50
Poles	8
Insulation Class	F
IP Class	IP55
50% Efficiency	65.7
75% Efficiency	71.9
100% Efficiency	74.3
Torque (Nm)	5.20
Tstart / Tnominal	2.50
Istart / Inominal	3.90
Tmax / Tnominal	2.20
Noise (dB)	56
PTC Thermistor	PTC 130
Weight (Kg)	14
DE Bearing	6205 2RZ C3
NDE Bearing	6205 2RZ C3