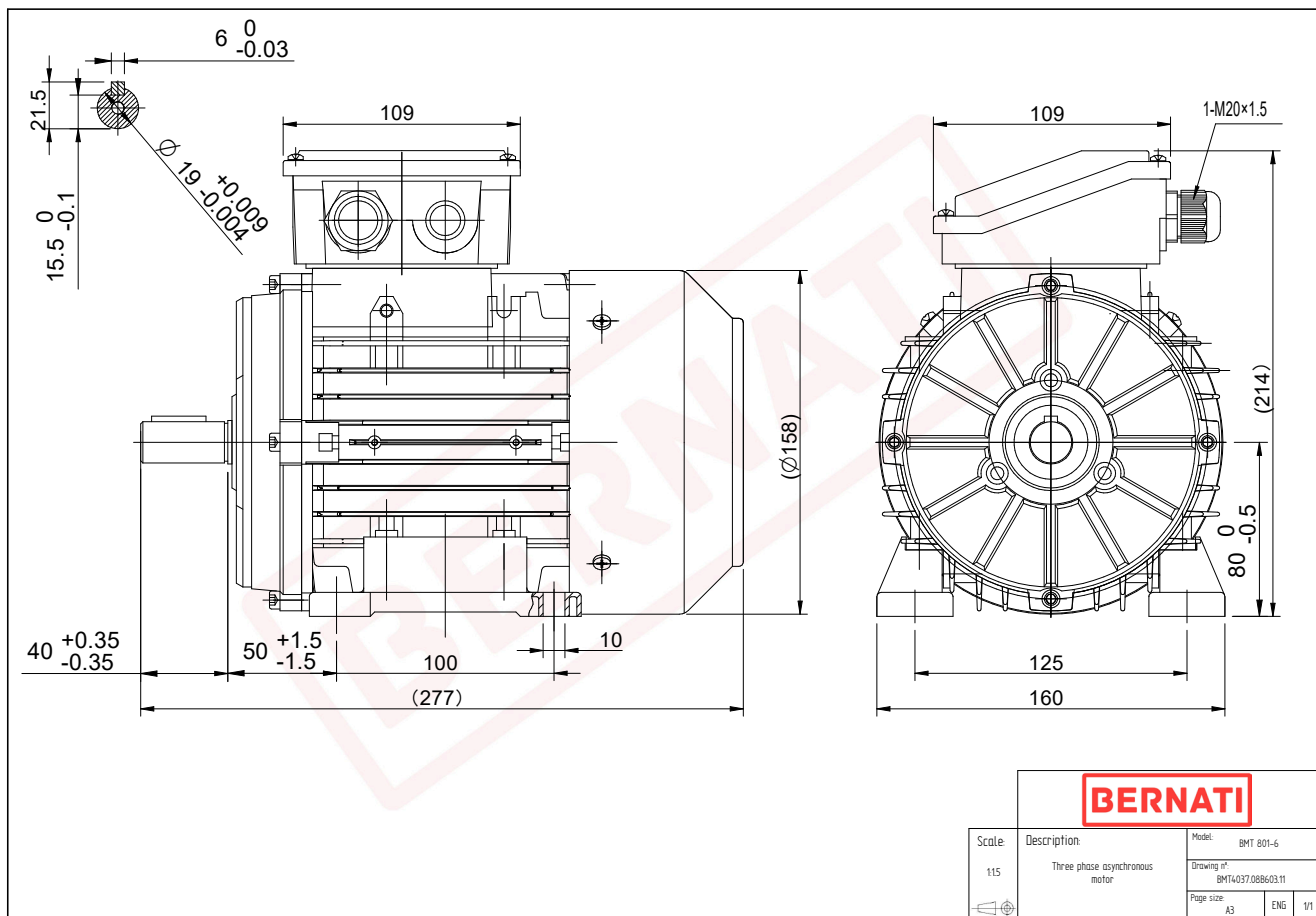


# Technical Datasheet

**BERNATI**

BMT Series - Aluminum frame three phase low voltage electric motor



<b>BMT</b>	
Product Code	BMT4037.08B603.11
Motor Type/Frame	BMT 801-6
Mounting	IM B3
Efficiency Class	IE4
Output Power (kW)	0.37
Speed (rpm)	950
Tension (V)	230/400
Frequency (Hz)	50
Current (A)	1.10
Power factor (Cos Ø)	0.60
Poles	6
Insulation Class	F
IP Class	IP55
50% Efficiency	72.2
75% Efficiency	76.7
100% Efficiency	78.0
Torque (Nm)	3.90
Tstart / Tnominal	2.70
Istart / Inominal	4.80
Tmax / Tnominal	3.10
Noise (dB)	56
PTC Thermistor	PTC 130
Weight (Kg)	11
DE Bearing	6204 2RZ C3
NDE Bearing	6204 2RZ C3