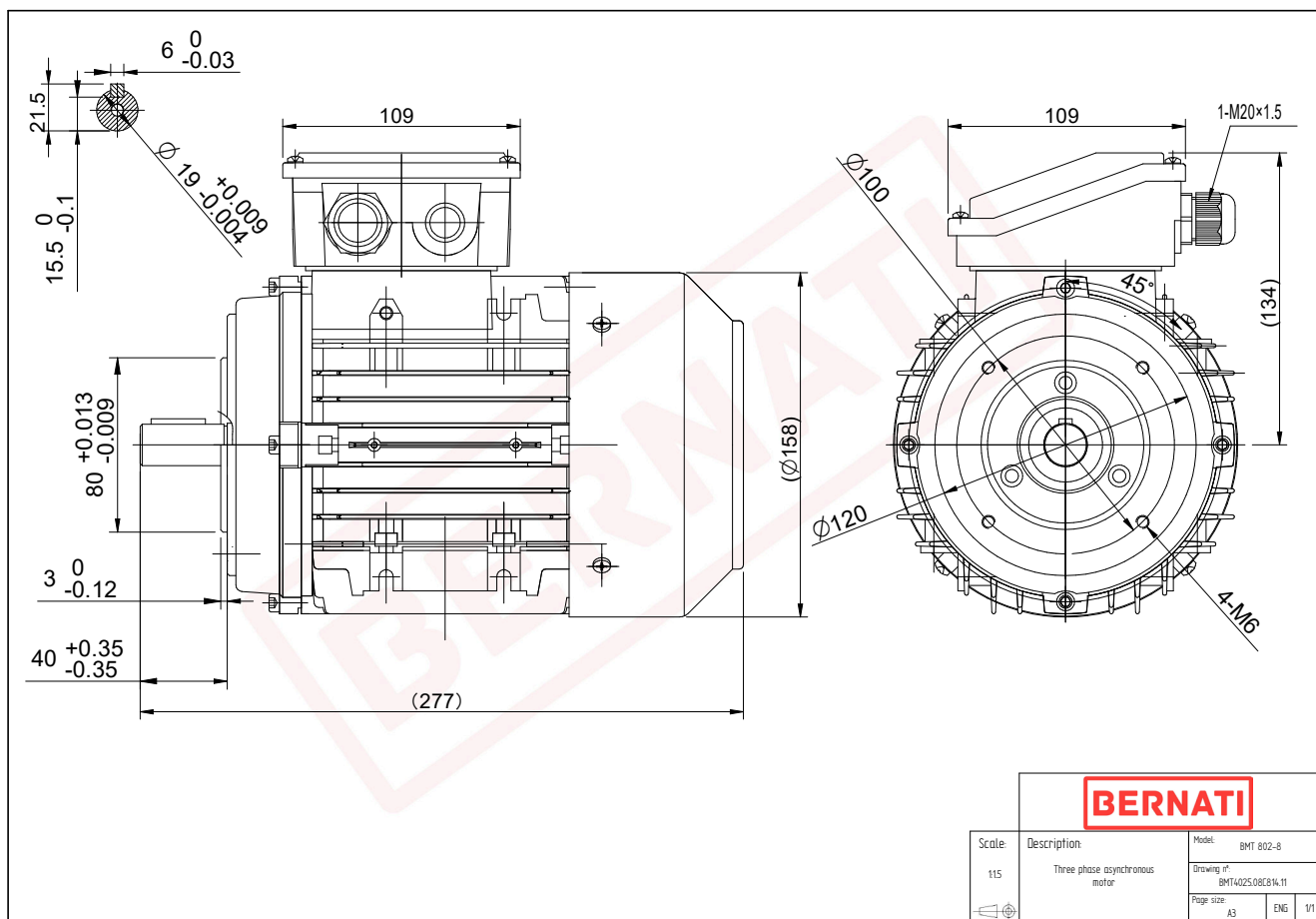


# Technical Datasheet



## BMT Series - Aluminum frame three phase low voltage electric motor



### BMT

|                      |                   |
|----------------------|-------------------|
| Product Code         | BMT4025.08C814.11 |
| Motor Type/Frame     | BMT 802-8         |
| Mounting             | IM B14            |
| Efficiency Class     | IE4               |
| Output Power (kW)    | 0.25              |
| Speed (rpm)          | 710               |
| Tension (V)          | 230/400           |
| Frequency (Hz)       | 50                |
| Current (A)          | 1.10              |
| Power factor (Cos Ø) | 0.50              |
| Poles                | 8                 |
| Insulation Class     | F                 |
| IP Class             | IP55              |
| 50% Efficiency       | 61.0              |
| 75% Efficiency       | 67.9              |
| 100% Efficiency      | 70.8              |
| Torque (Nm)          | 3.50              |
| Tstart / Tnominal    | 2.70              |
| Istart / Inominal    | 3.70              |
| Tmax / Tnominal      | 3.10              |
| Noise (dB)           | 52                |
| PTC Thermistor       | PTC 130           |
| Weight (Kg)          | 12                |
| DE Bearing           | 6204 2RZ C3       |
| NDE Bearing          | 6204 2RZ C3       |