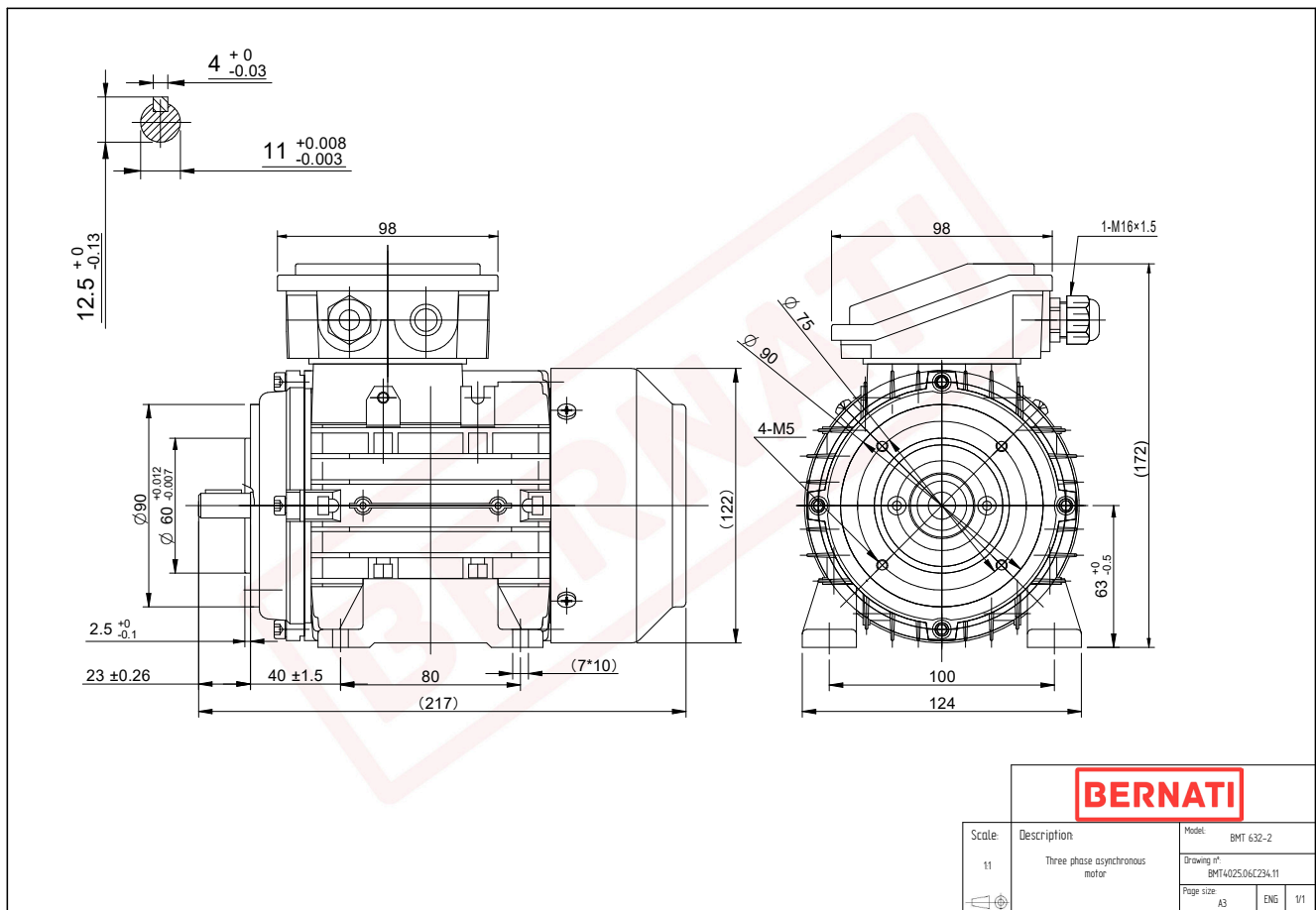


## BMT Series - Aluminum frame three phase low voltage electric motor



BMT	
Product Code	BMT4025.06C234.11
Motor Type/Frame	BMT 632-2
Mounting	IM B3/B14
Efficiency Class	IE4
Output Power (kW)	0.25
Speed (rpm)	2880
Tension (V)	230/400
Frequency (Hz)	50
Current (A)	0.60
Power factor (Cos Ø)	0.80
Poles	2
Insulation Class	F
IP Class	IP55
50% Efficiency	68.7
75% Efficiency	73.1
100% Efficiency	74.3
Torque (Nm)	0.90
Tstart / Tnominal	2.70
Istart / Inominal	6.30
Tmax / Tnominal	3.20
Noise (dB)	61
PTC Thermistor	PTC 130
Weight (Kg)	5
DE Bearing	6201 2RZ C3
NDE Bearing	6201 2RZ C3