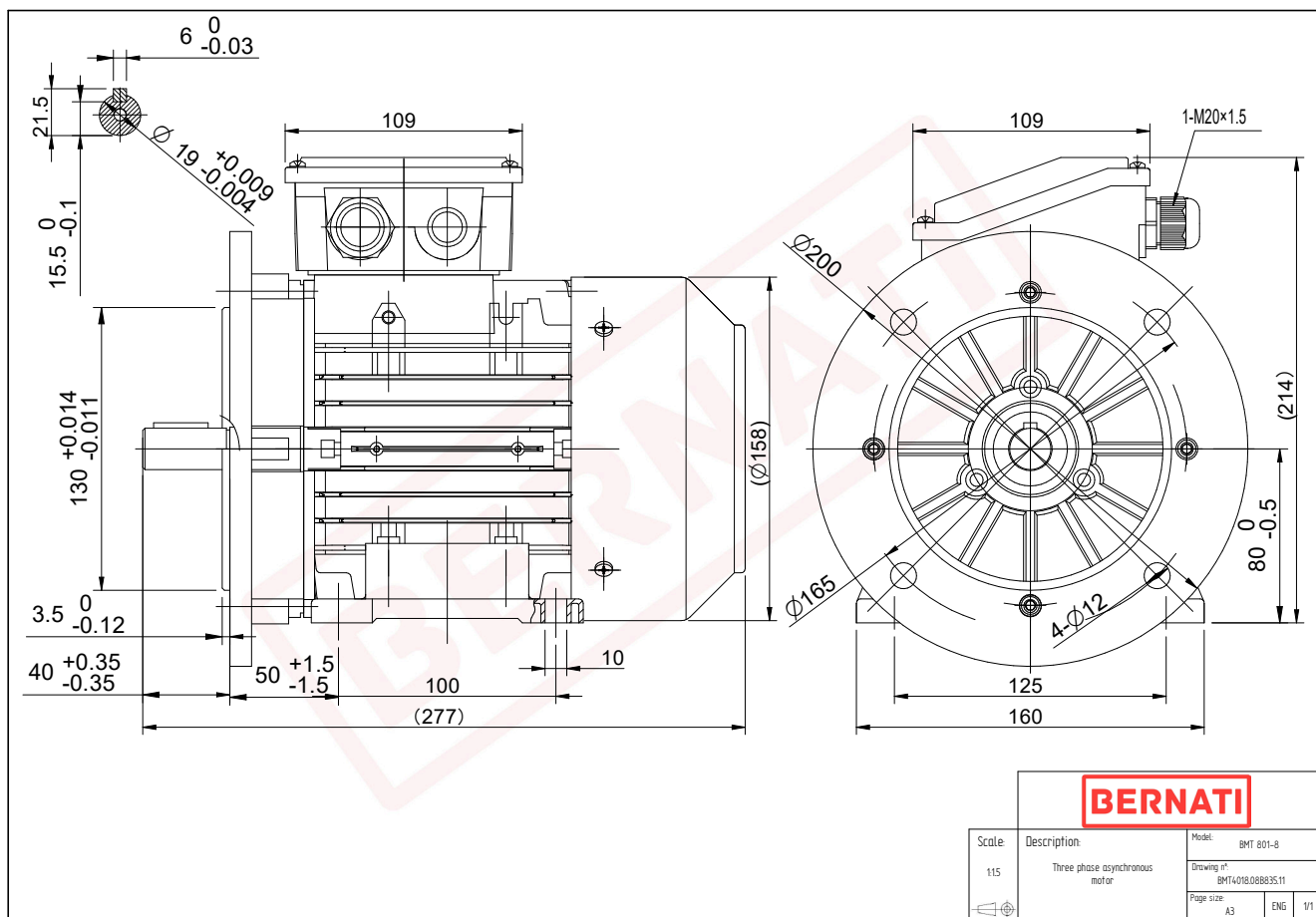


Technical Datasheet



BMT Series - Aluminum frame three phase low voltage electric motor



BMT	
Product Code	BMT4018.08B835.11
Motor Type/Frame	BMT 801-8
Mounting	IM B3/B5
Efficiency Class	IE4
Output Power (kW)	0.18
Speed (rpm)	710
Tension (V)	230/400
Frequency (Hz)	50
Current (A)	0.70
Power factor (Cos Ø)	0.50
Poles	8
Insulation Class	F
IP Class	IP55
50% Efficiency	52.8
75% Efficiency	64.1
100% Efficiency	67.2
Torque (Nm)	2.50
T _{start} / T _{nominal}	2.30
I _{start} / I _{nominal}	3.40
T _{max} / T _{nominal}	2.70
Noise (dB)	52
PTC Thermistor	PTC 130
Weight (Kg)	10
DE Bearing	6204 2RZ C3
NDE Bearing	6204 2RZ C3