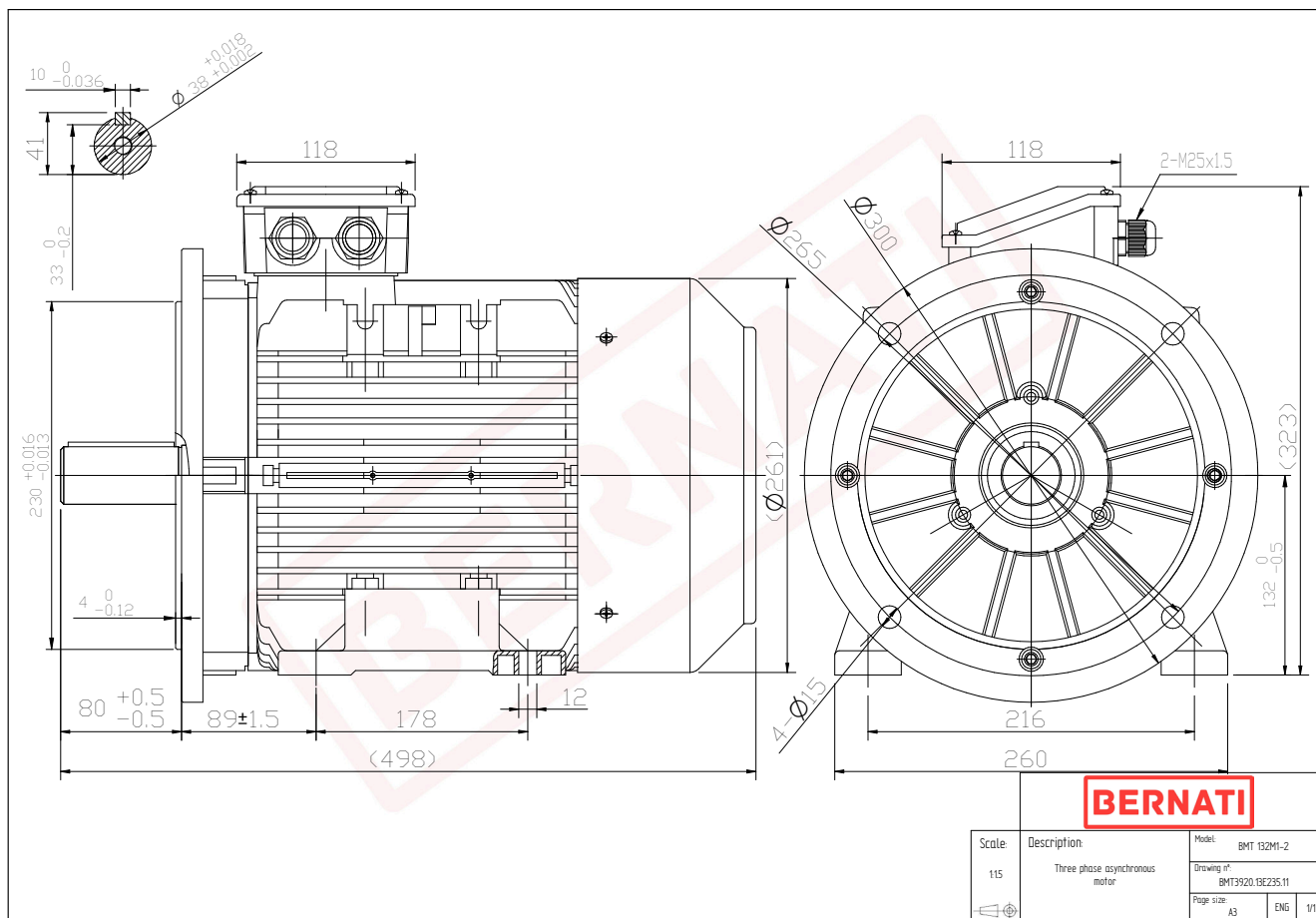


Technical Datasheet

BERNATI

BMT Series - Aluminum frame three phase low voltage electric motor



BMT	
Product Code	BMT3920.13E235.11
Motor Type/Frame	BMT 132M1-2
Mounting	IM B3/B5
Efficiency Class	IE3
Output Power (kW)	9.20
Speed (rpm)	2930
Tension (V)	230/400
Frequency (Hz)	50
Current (A)	16.11
Power factor (Cos Ø)	0.91
Poles	2
Insulation Class	F
IP Class	IP55
50% Efficiency	90.5
75% Efficiency	91.2
100% Efficiency	90.6
Torque (Nm)	29.99
Tstart / Tnominal	3.20
Istart / Inominal	11.60
Tmax / Tnominal	4.20
Noise (dB)	81
PTC Thermistor	PTC 130
Weight (Kg)	58
DE Bearing	6308 2RZ C3
NDE Bearing	6208 2RZ C3