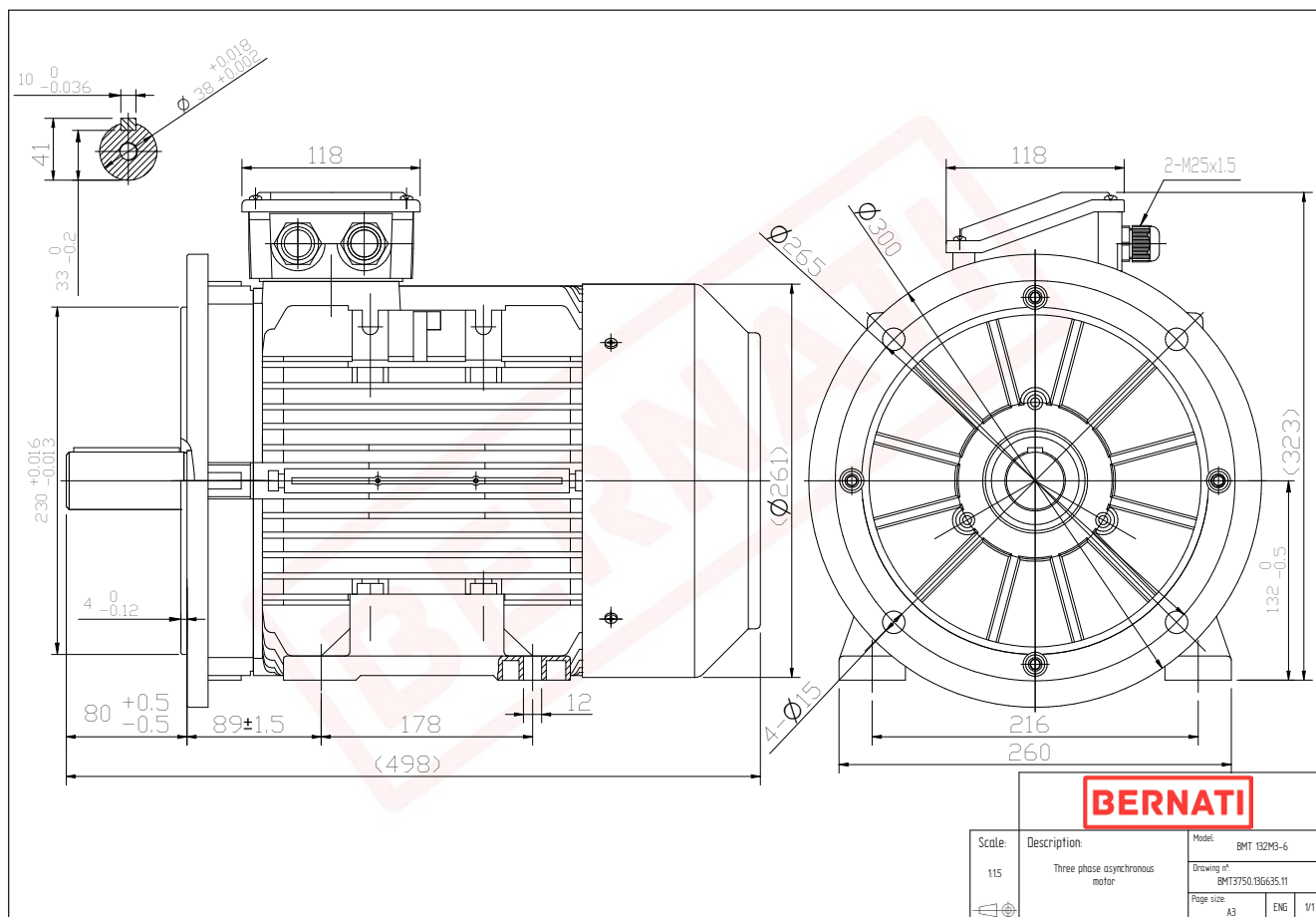


Technical Datasheet

BERNATI

BMT Series - Aluminum frame three phase low voltage electric motor



BMT

Product Code	BMT3750.13G635.11
Motor Type/Frame	BMT 132M3-6
Mounting	IM B3/B5
Efficiency Class	IE3
Output Power (kW)	7.50
Speed (rpm)	970
Tension (V)	230/400
Frequency (Hz)	50
Current (A)	16.87
Power factor (Cos Ø)	0.72
Poles	6
Insulation Class	F
IP Class	IP55
50% Efficiency	88.6
75% Efficiency	89.6
100% Efficiency	89.1
Torque (Nm)	73.84
Tstart / Tnominal	3.30
Istart / Inominal	8.30
Tmax / Tnominal	3.20
Noise (dB)	68
PTC Thermistor	PTC 130
Weight (Kg)	68
DE Bearing	6308 2RZ C3
NDE Bearing	6208 2RZ C3