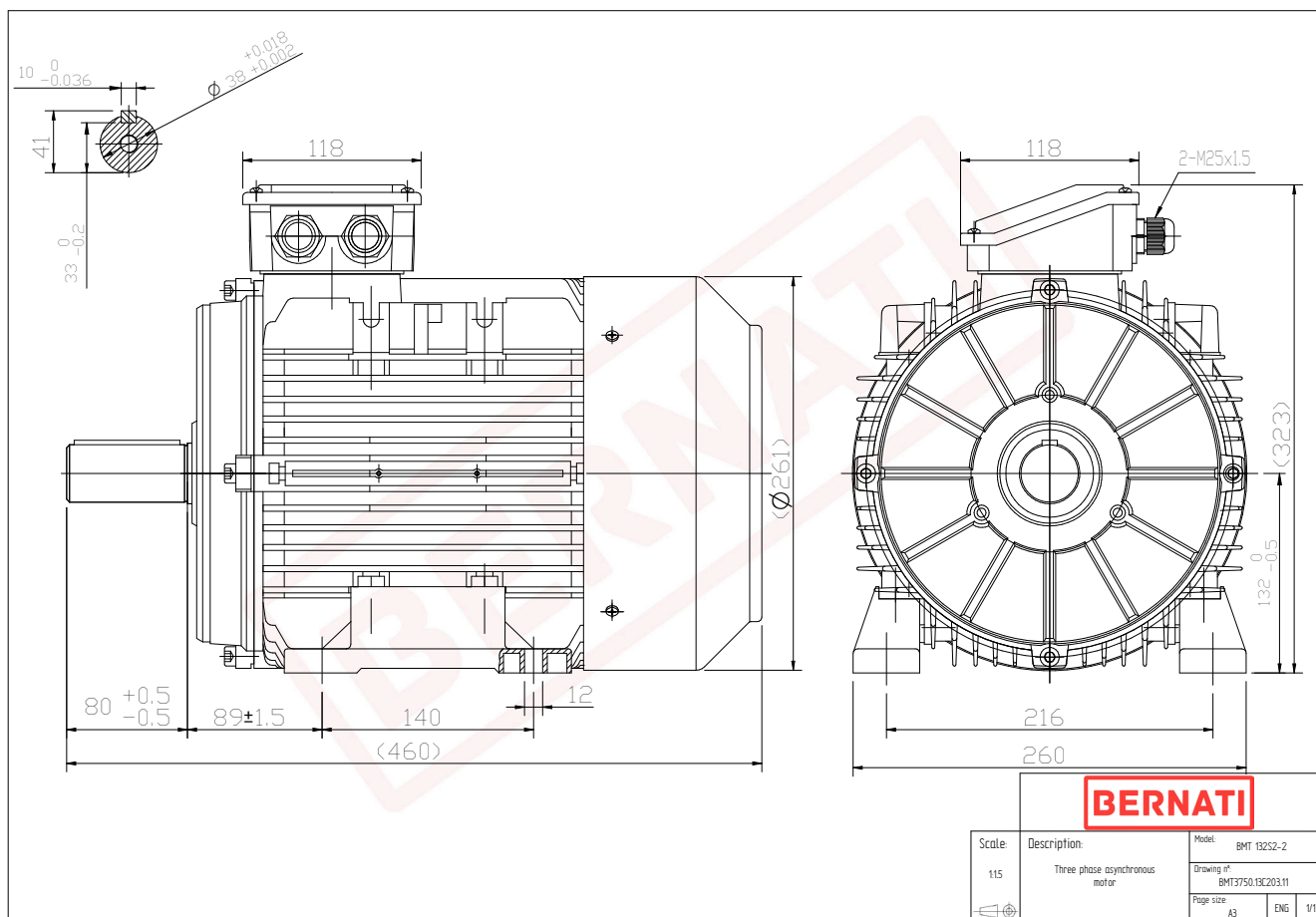


Technical Datasheet

BERNATI

BMT Series - Aluminum frame three phase low voltage electric motor



BMT	
Product Code	BMT3750.13C203.11
Motor Type/Frame	BMT 112S2-2
Mounting	IM B3
Efficiency Class	IE3
Output Power (kW)	7.50
Speed (rpm)	2930
Tension (V)	230/400
Frequency (Hz)	50
Current (A)	13.06
Power factor (Cos Ø)	0.92
Poles	2
Insulation Class	F
IP Class	IP55
50% Efficiency	90.7
75% Efficiency	90.9
100% Efficiency	90.1
Torque (Nm)	24.45
Tstart / Tnominal	2.60
Istart / Inominal	10.10
Tmax / Tnominal	4.60
Noise (dB)	80
PTC Thermistor	PTC 130
Weight (Kg)	52
DE Bearing	6306 2RZ C3
NDE Bearing	6206 2RZ C3