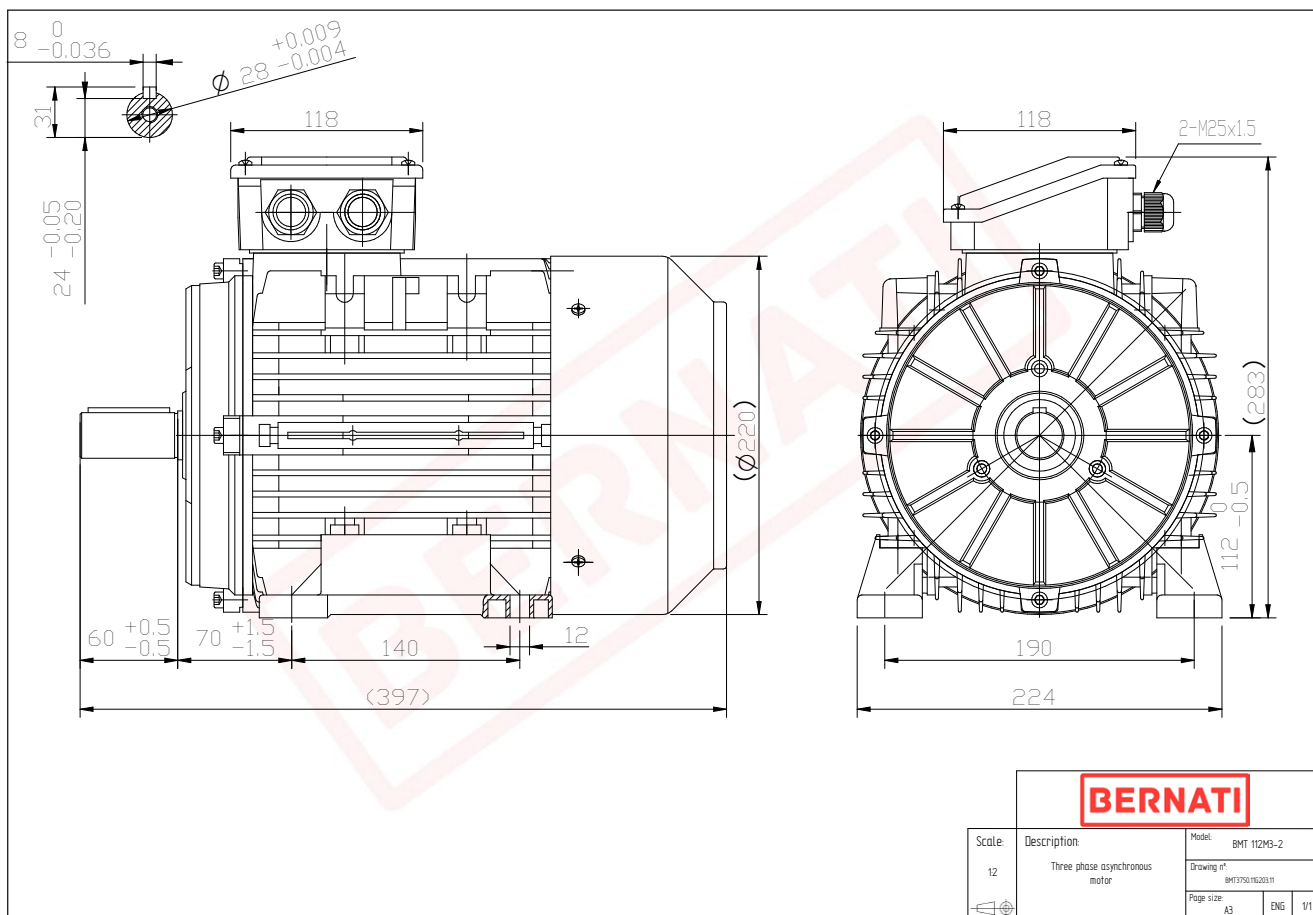


Technical Datasheet



BMT Series - Aluminum frame three phase low voltage electric motor



BMT	
Product Code	BMT3750.11G203.11
Motor Type/Frame	BMT 112M3-2
Mounting	IM B3
Efficiency Class	IE3
Output Power (kW)	7.50
Speed (rpm)	2920
Tension (V)	230/400
Frequency (Hz)	50
Current (A)	13.06
Power factor (Cos Ø)	0.92
Poles	2
Insulation Class	F
IP Class	IP55
50% Efficiency	90.0
75% Efficiency	91.0
100% Efficiency	90.1
Torque (Nm)	24.53
Tstart / Tnominal	3.50
Istart / Inominal	11.40
Tmax / Tnominal	3.80
Noise (dB)	80
PTC Thermistor	PTC 130
Weight (Kg)	40
DE Bearing	6306 2RZ C3
NDE Bearing	6206 2RZ C3