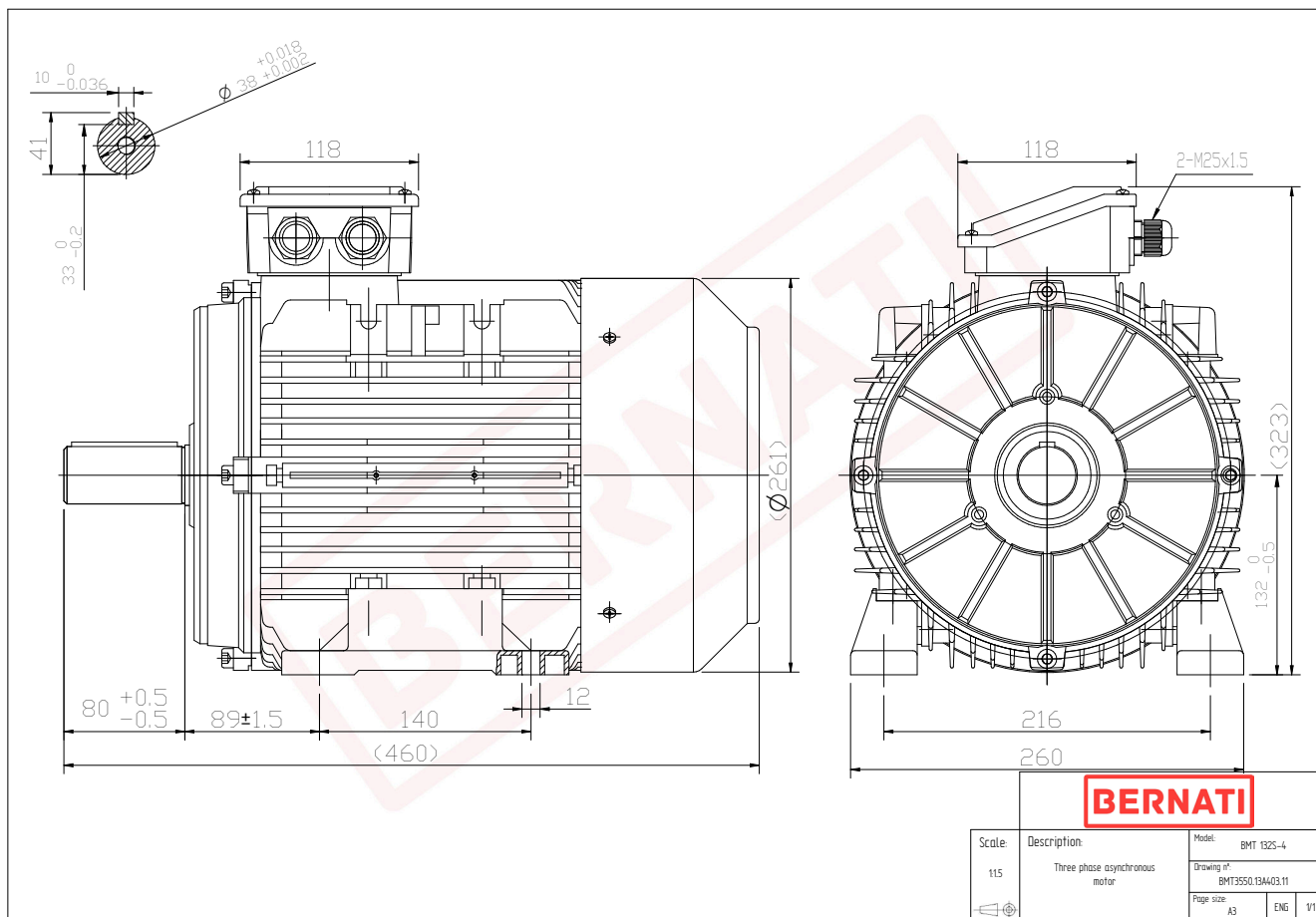


Technical Datasheet

BERNATI

BMT Series - Aluminum frame three phase low voltage electric motor



BMT	
Product Code	BMT3550.13A403.11
Motor Type/Frame	BMT 132S-4
Mounting	IM B3
Efficiency Class	IE3
Output Power (kW)	5.50
Speed (rpm)	1460
Tension (V)	230/400
Frequency (Hz)	50
Current (A)	10.55
Power factor (Cos Ø)	0.84
Poles	4
Insulation Class	F
IP Class	IP55
50% Efficiency	89.4
75% Efficiency	89.8
100% Efficiency	89.6
Torque (Nm)	35.98
Tstart / Tnominal	2.30
Istart / Inominal	9.00
Tmax / Tnominal	3.50
Noise (dB)	71
PTC Thermistor	PTC 130
Weight (Kg)	47
DE Bearing	6308 2RZ C3
NDE Bearing	6208 2RZ C3