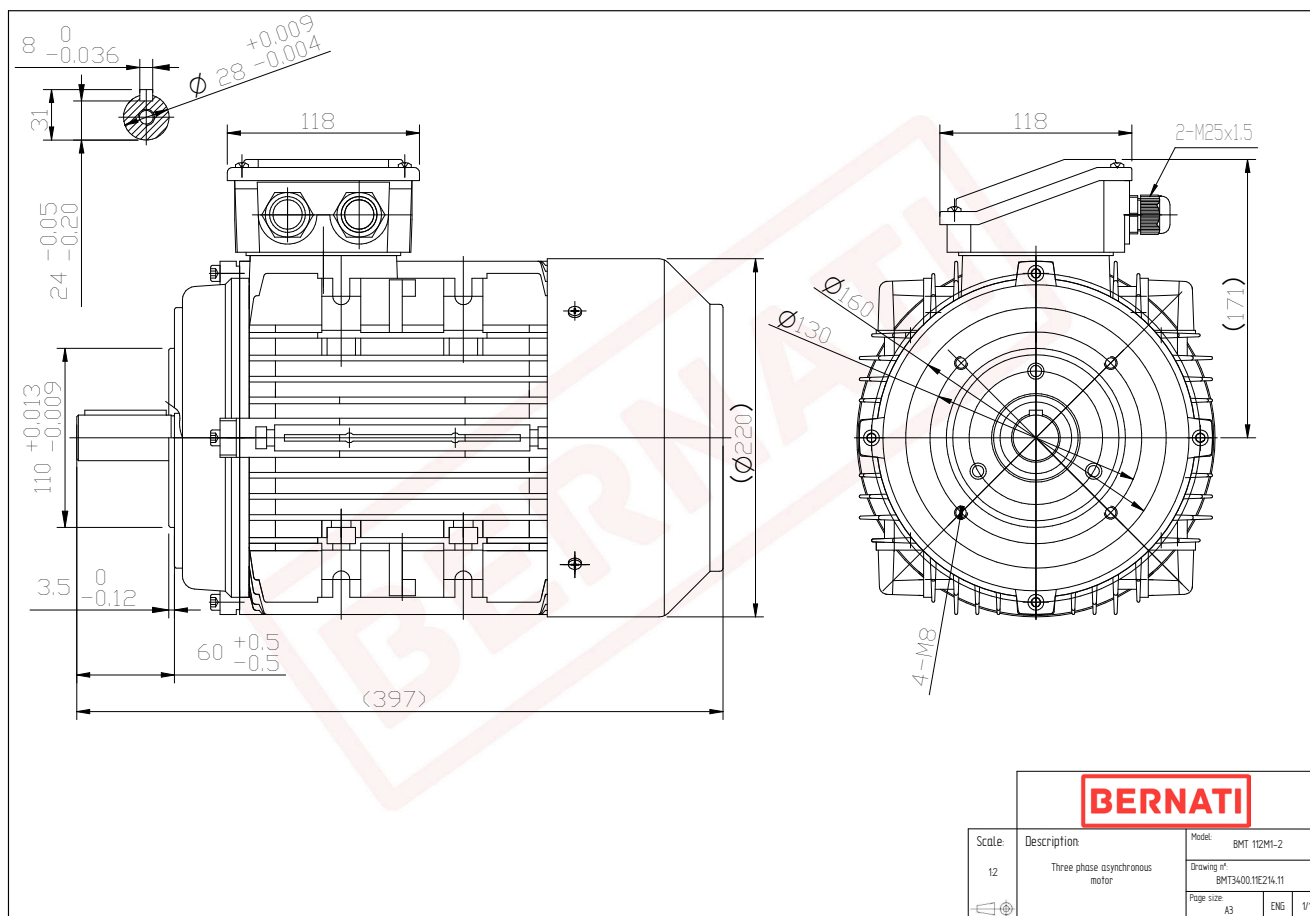


# Technical Datasheet



## BMT Series - Aluminum frame three phase low voltage electric motor



### BMT

Product Code	BMT3400.11E214.11
Motor Type/Frame	BMT 112M1-2
Mounting	IM B14
Efficiency Class	IE3
Output Power (kW)	4.00
Speed (rpm)	2920
Tension (V)	230/400
Frequency (Hz)	50
Current (A)	7.20
Power factor (Cos Ø)	0.91
Poles	2
Insulation Class	F
IP Class	IP55
50% Efficiency	87.0
75% Efficiency	88.2
100% Efficiency	88.1
Torque (Nm)	13.08
Tstart / Tnominal	3.40
Istart / Inominal	10.50
Tmax / Tnominal	3.90
Noise (dB)	77
PTC Thermistor	PTC 130
Weight (Kg)	30
DE Bearing	6306 2RZ C3
NDE Bearing	6206 2RZ C3