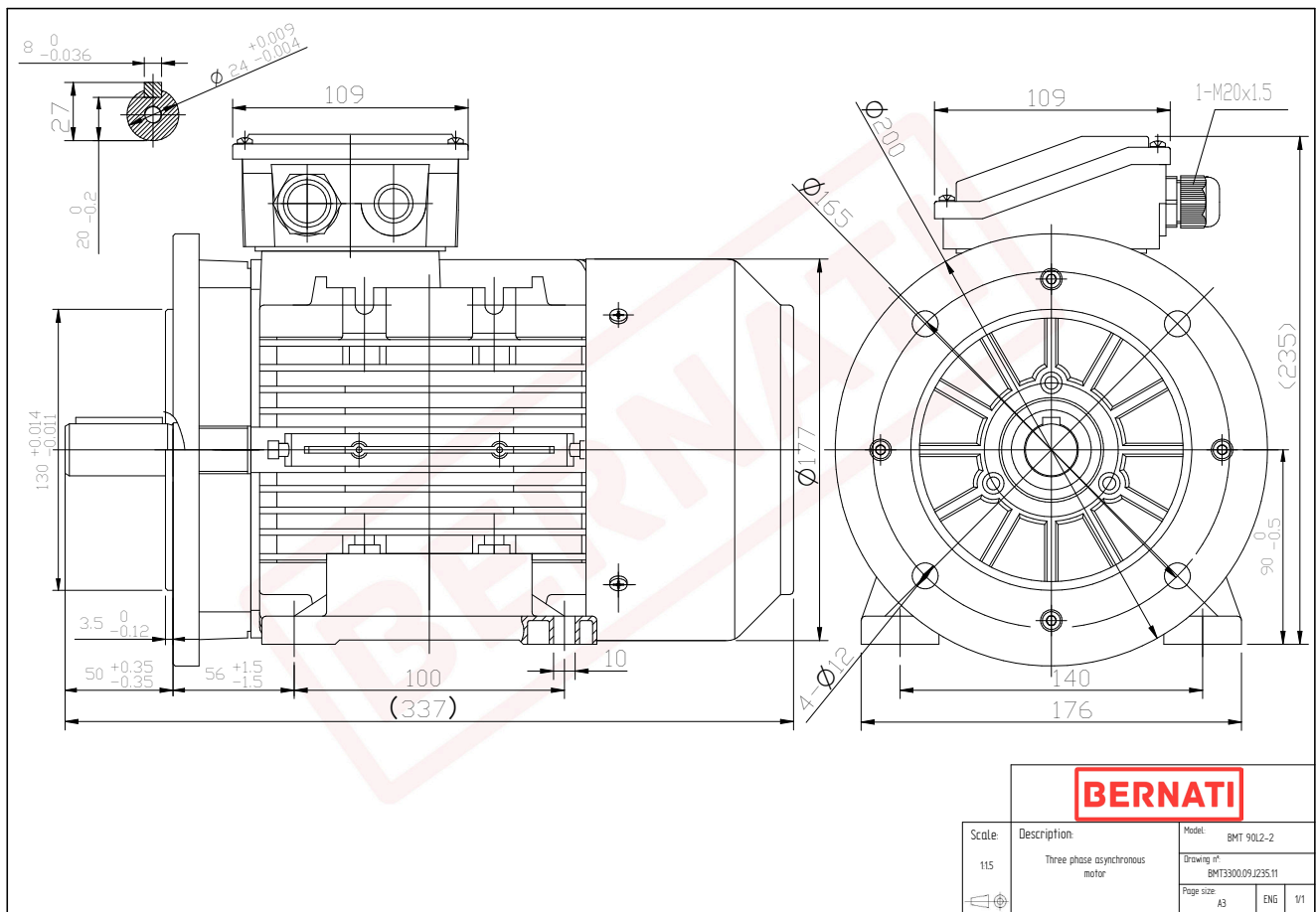


## BMT Series - Aluminum frame three phase low voltage electric motor



<b>BMT</b>	
Product Code	BMT3300.09J235.11
Motor Type/Frame	BMT 90L2-2
Mounting	IM B3/B5
Efficiency Class	IE3
Output Power (kW)	3.00
Speed (rpm)	2910
Tension (V)	230/400
Frequency (Hz)	50
Current (A)	6.21
Power factor (Cos Ø)	0.80
Poles	2
Insulation Class	F
IP Class	IP55
50% Efficiency	84.2
75% Efficiency	87.1
100% Efficiency	87.1
Torque (Nm)	9.85
Tstart / Tnominal	4.00
Istart / Inominal	9.60
Tmax / Tnominal	4.10
Noise (dB)	74
PTC Thermistor	PTC 130
Weight (Kg)	19
DE Bearing	6205 2RZ C3
NDE Bearing	6205 2RZ C3