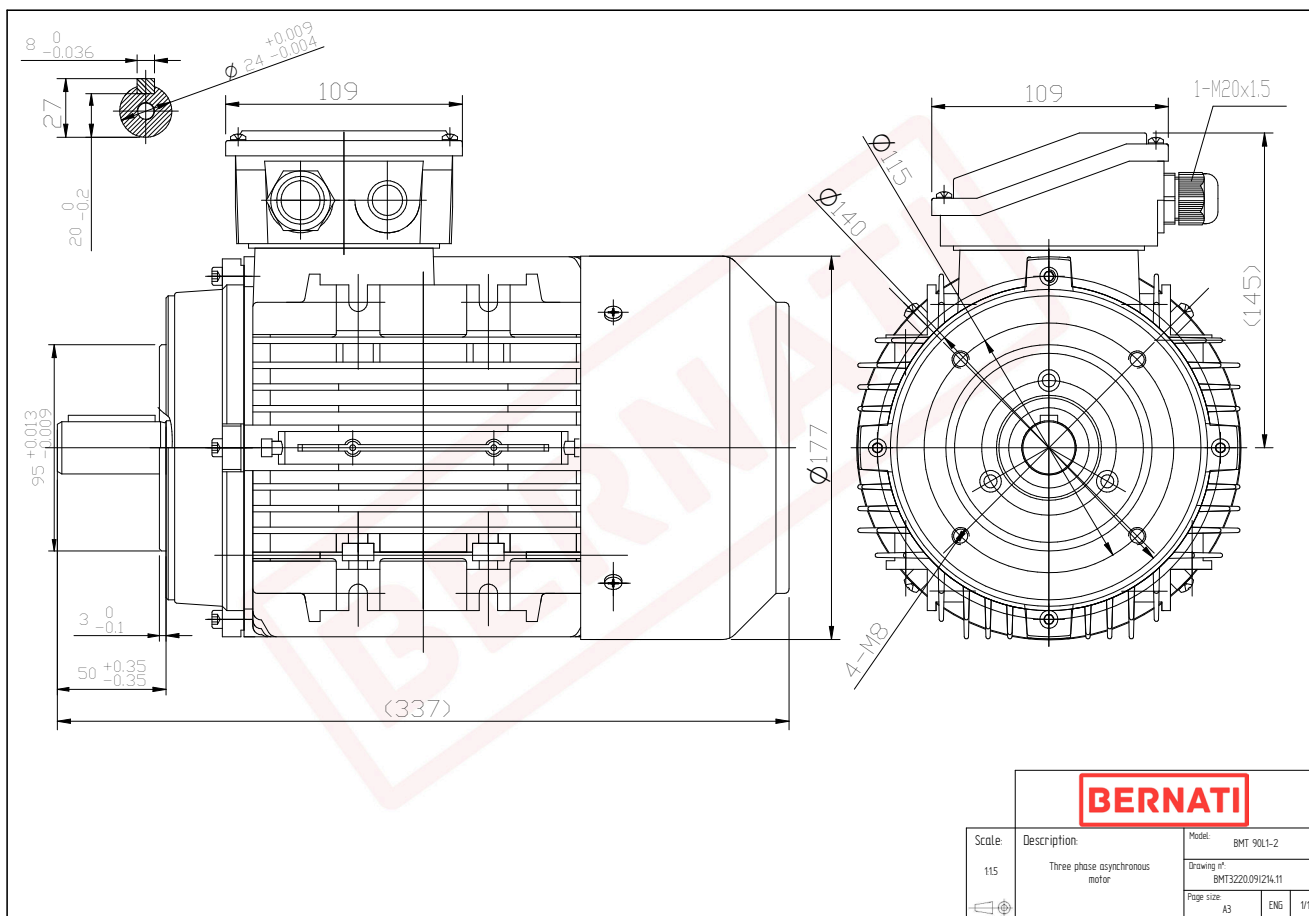


BMT Series - Aluminum frame three phase low voltage electric motor



BMT	
Product Code	BMT3220.09/214.11
Motor Type/Frame	BMT 90L1-2
Mounting	IM B14
Efficiency Class	IE3
Output Power (kW)	2.20
Speed (rpm)	2910
Tension (V)	230/400
Frequency (Hz)	50
Current (A)	4.40
Power factor (Cos Ø)	0.84
Poles	2
Insulation Class	F
IP Class	IP55
50% Efficiency	84.7
75% Efficiency	86.1
100% Efficiency	85.9
Torque (Nm)	7.22
Tstart / Tnominal	3.30
Istart / Inominal	9.00
Tmax / Tnominal	3.70
Noise (dB)	72
PTC Thermistor	PTC 130
Weight (Kg)	16
DE Bearing	6205 2RZ C3
NDE Bearing	6205 2RZ C3