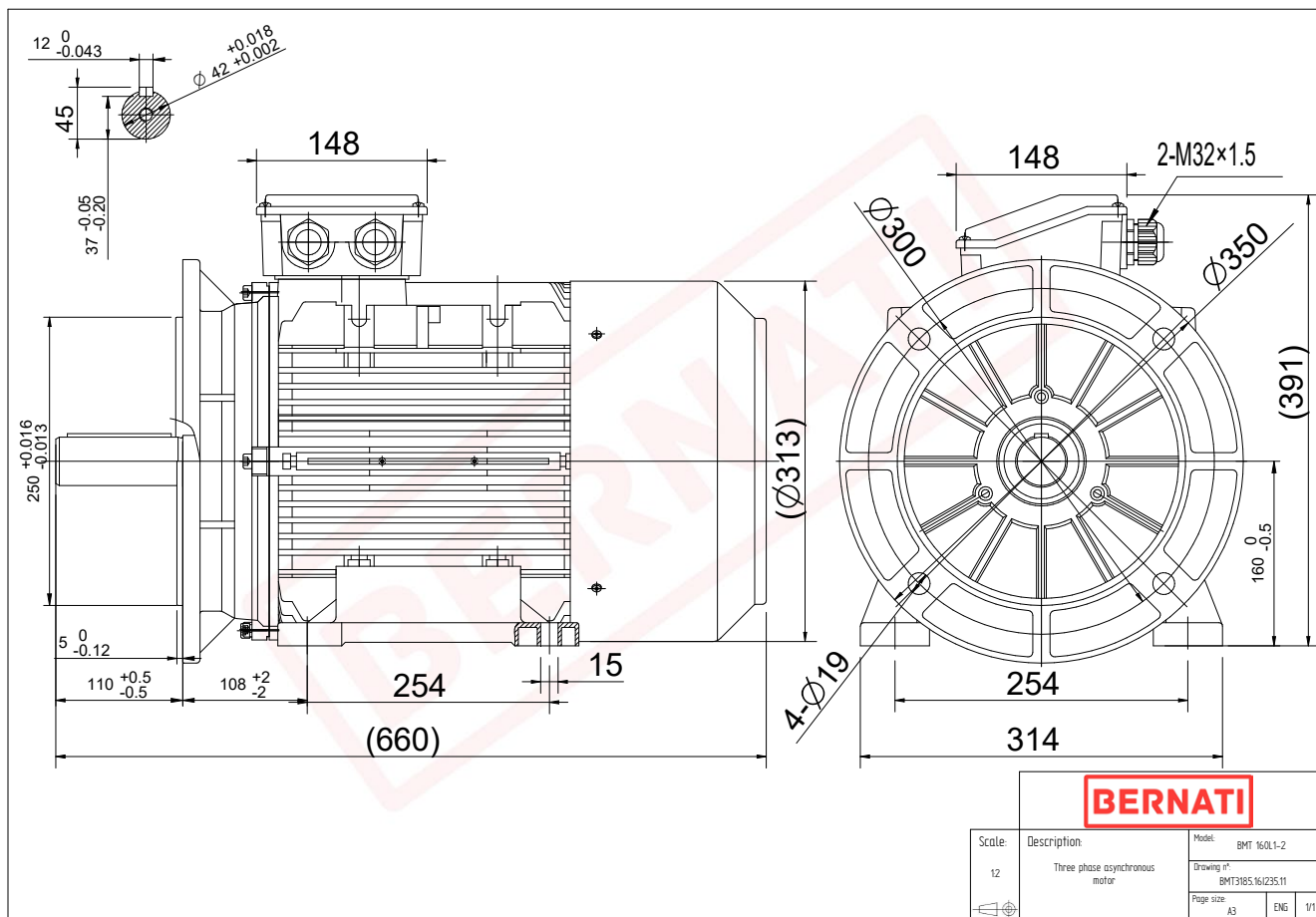


Technical Datasheet

BERNATI

BMT Series - Aluminum frame three phase low voltage electric motor



BMT	
Product Code	BMT3185.16I235.11
Motor Type/Frame	BMT 160L1-2
Mounting	IM B3/B5
Efficiency Class	IE3
Output Power (kW)	18.50
Speed (rpm)	2950
Tension (V)	230/400
Frequency (Hz)	50
Current (A)	31.76
Power factor (Cos Ø)	0.91
Poles	2
Insulation Class	F
IP Class	IP55
50% Efficiency	91.8
75% Efficiency	92.8
100% Efficiency	92.4
Torque (Nm)	59.89
Tstart / Tnominal	3.00
Istart / Inominal	9.10
Tmax / Tnominal	3.00
Noise (dB)	86
PTC Thermistor	PTC 130
Weight (Kg)	121
DE Bearing	6309 2RZ C3
NDE Bearing	6209 2RZ C3