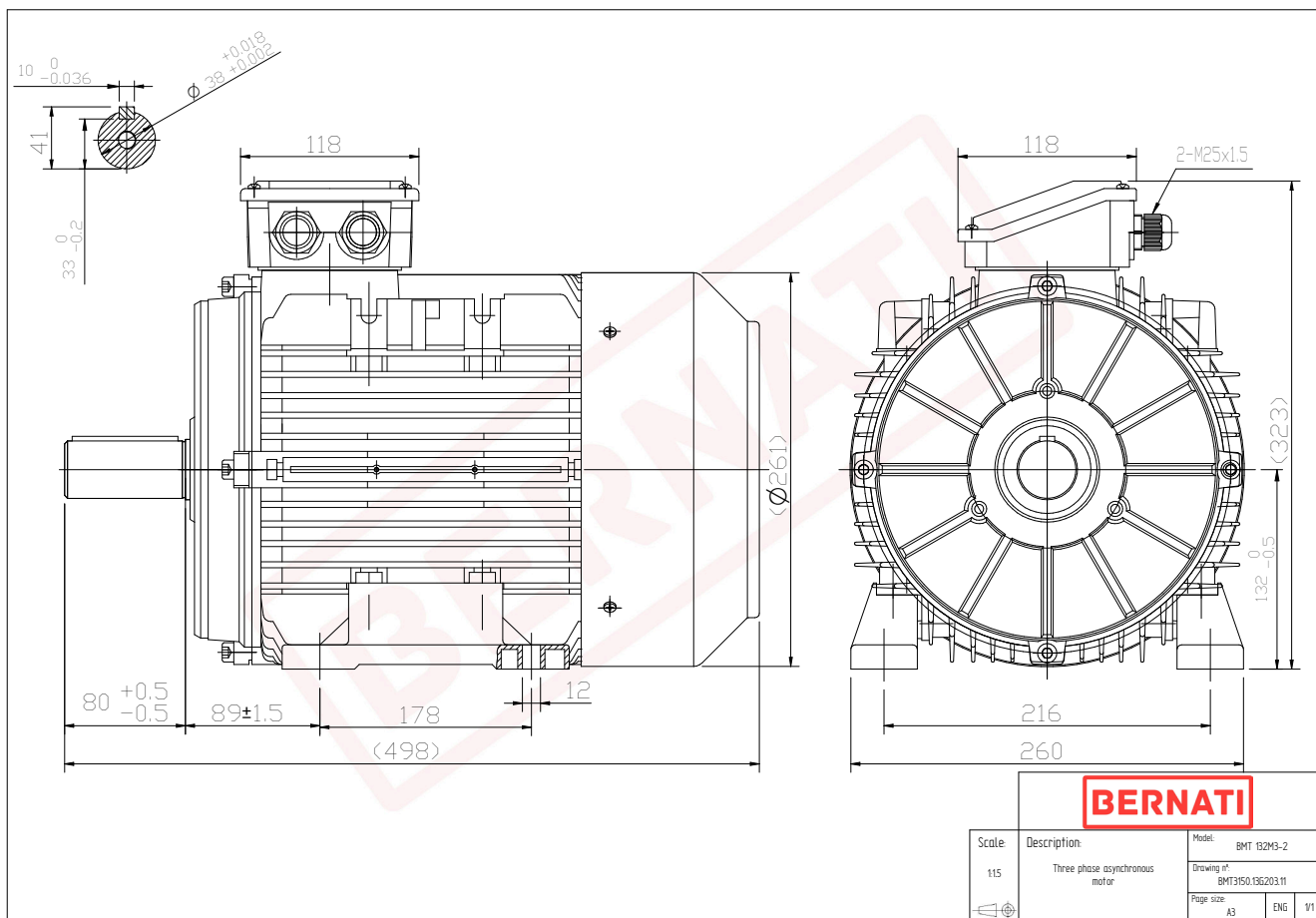


Technical Datasheet

BERNATI

BMT Series - Aluminum frame three phase low voltage electric motor



BMT	
Product Code	BMT3150.13G203.11
Motor Type/Frame	BMT 132M3-2
Mounting	IM B3
Efficiency Class	IE3
Output Power (kW)	15.00
Speed (rpm)	2940
Tension (V)	230/400
Frequency (Hz)	50
Current (A)	26.18
Power factor (Cos Ø)	0.90
Poles	2
Insulation Class	F
IP Class	IP55
50% Efficiency	91.2
75% Efficiency	92.1
100% Efficiency	91.9
Torque (Nm)	48.72
Tstart / Tnominal	4.90
Istart / Inominal	14.40
Tmax / Tnominal	4.90
Noise (dB)	86
PTC Thermistor	PTC 130
Weight (Kg)	75
DE Bearing	6308 2RZ C3
NDE Bearing	6208 2RZ C3