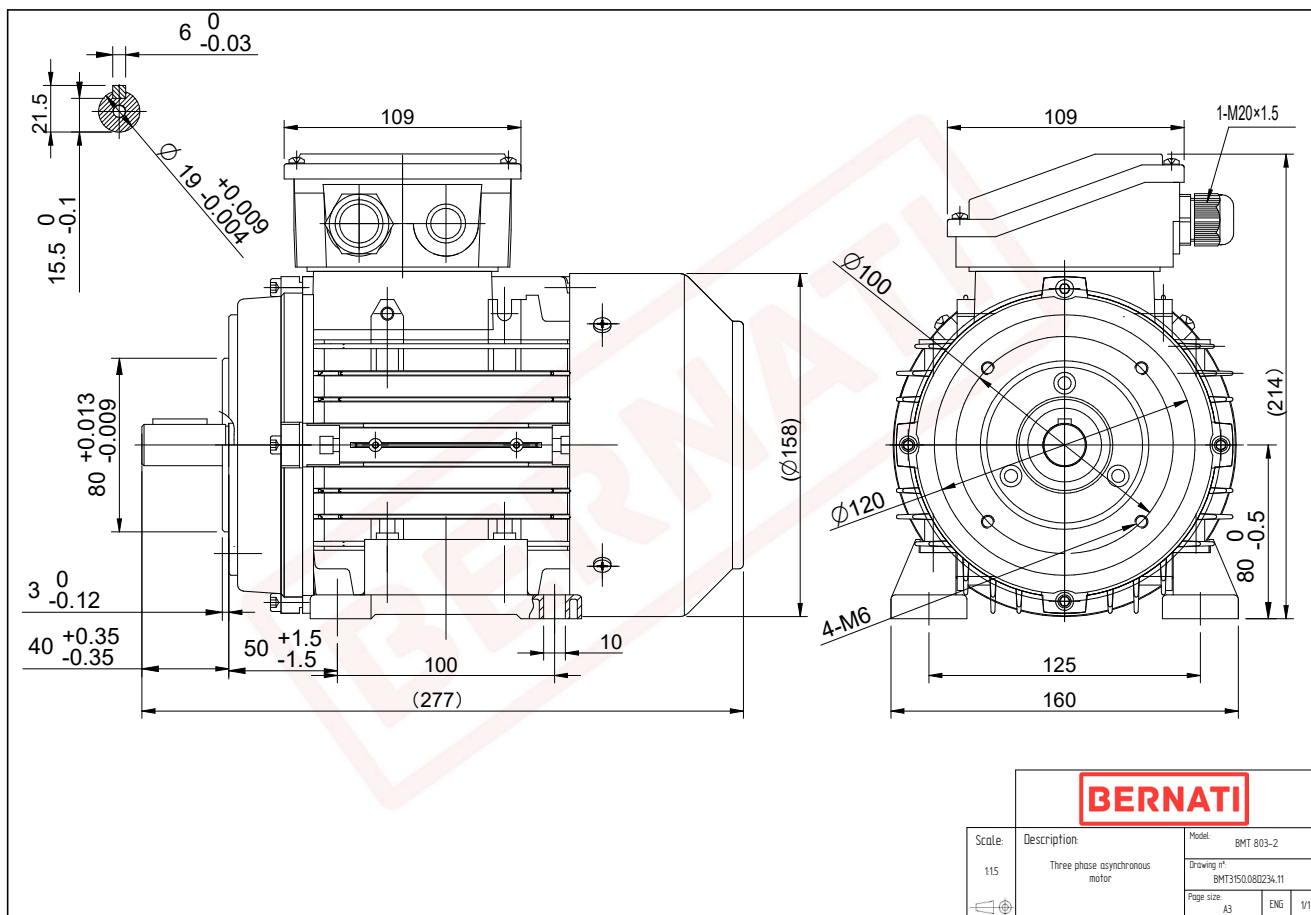


Technical Datasheet

BERNATI

BMT Series - Aluminum frame three phase low voltage electric motor



BMT	
Product Code	BMT3150.08D234.11
Motor Type/Frame	BMT 803-2
Mounting	IM B3/B14
Efficiency Class	IE3
Output Power (kW)	1.50
Speed (rpm)	2910
Tension (V)	230/400
Frequency (Hz)	50
Current (A)	3.17
Power factor (Cos Ø)	0.81
Poles	2
Insulation Class	F
IP Class	IP55
50% Efficiency	81.5
75% Efficiency	83.9
100% Efficiency	84.2
Torque (Nm)	4.92
Tstart / Tnominal	4.00
Istart / Inominal	9.60
Tmax / Tnominal	4.00
Noise (dB)	70
PTC Thermistor	PTC 130
Weight (Kg)	13
DE Bearing	6204 2RZ C3
NDE Bearing	6204 2RZ C3