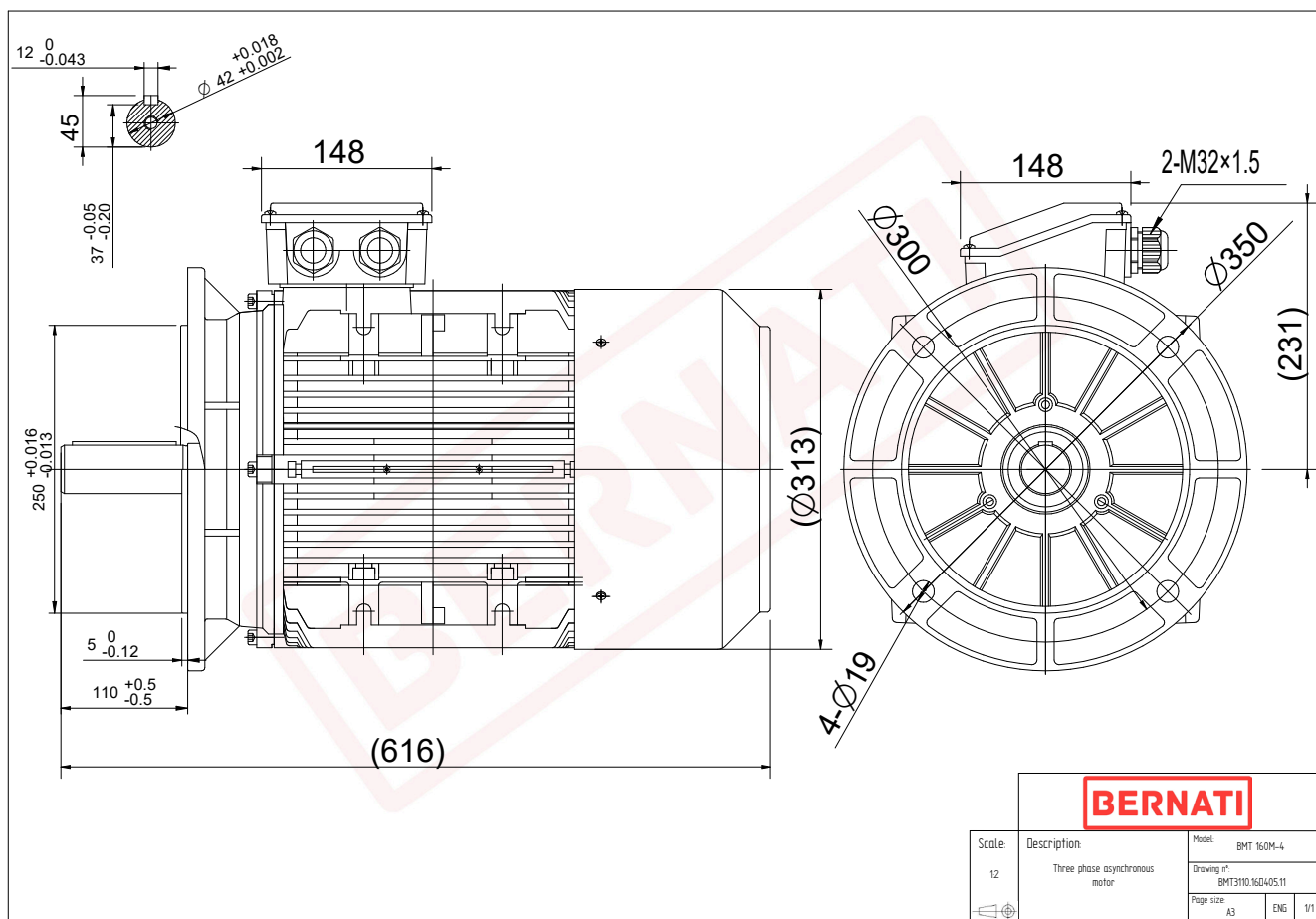


BMT Series - Aluminum frame three phase low voltage electric motor



BMT

Product Code	BMT3110.16D405.11
Motor Type/Frame	BMT 160M-4
Mounting	IM B5
Efficiency Class	IE3
Output Power (kW)	11.00
Speed (rpm)	1470
Tension (V)	230/400
Frequency (Hz)	50
Current (A)	20.93
Power factor (Cos Ø)	0.83
Poles	4
Insulation Class	F
IP Class	IP55
50% Efficiency	89.8
75% Efficiency	91.7
100% Efficiency	91.4
Torque (Nm)	71.46
Tstart / Tnominal	2.60
Istart / Inominal	7.60
Tmax / Tnominal	2.80
Noise (dB)	75
PTC Thermistor	PTC 130
Weight (Kg)	89
DE Bearing	6309 2RZ C3
NDE Bearing	6209 2RZ C3