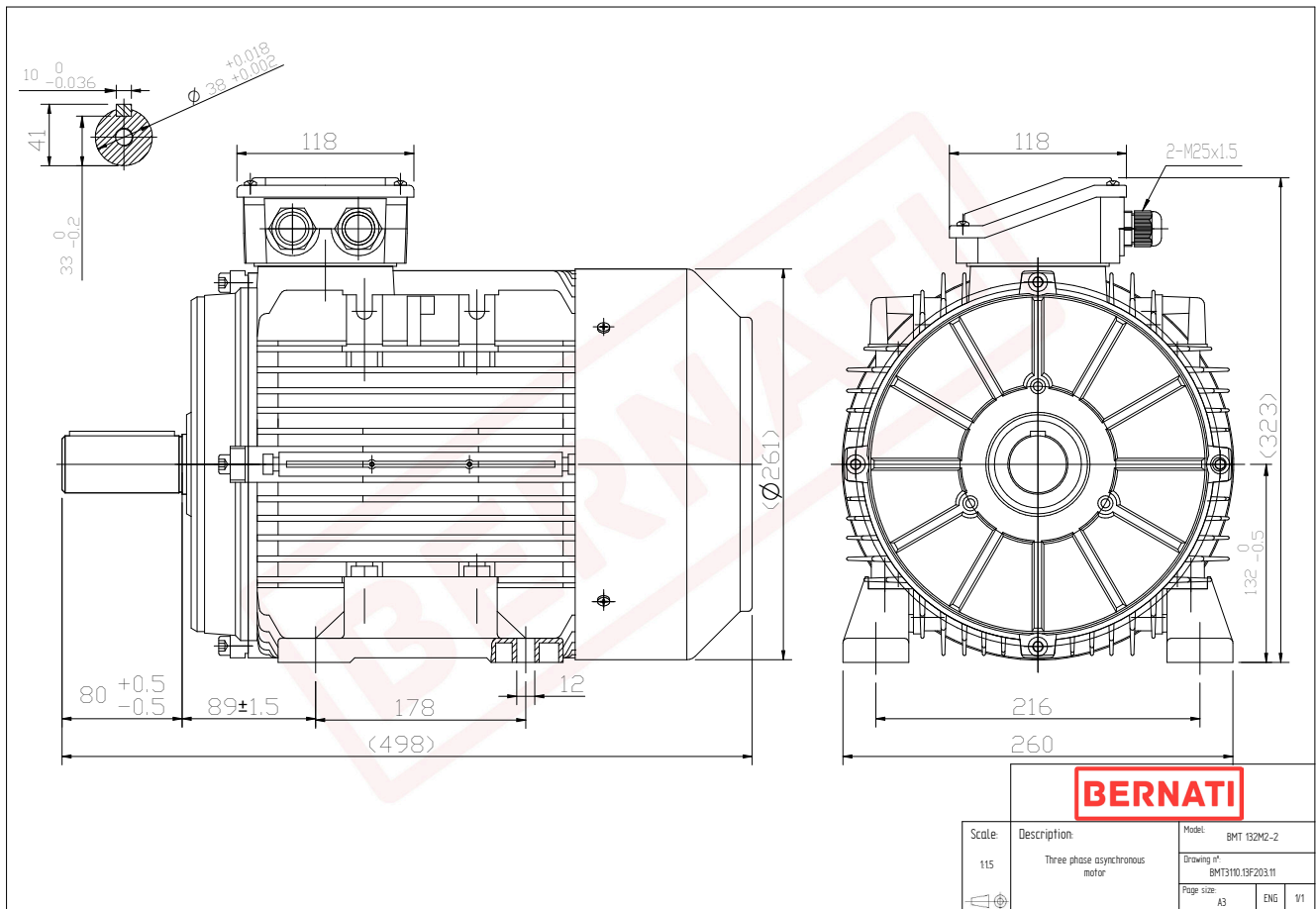


Technical Datasheet

BERNATI

BMT Series - Aluminum frame three phase low voltage electric motor



BMT	
Product Code	BMT3110.13F203.11
Motor Type/Frame	BMT 132M2-2
Mounting	IM B3
Efficiency Class	IE3
Output Power (kW)	11.00
Speed (rpm)	2930
Tension (V)	230/400
Frequency (Hz)	50
Current (A)	18.92
Power factor (Cos Ø)	0.92
Poles	2
Insulation Class	F
IP Class	IP55
50% Efficiency	91.2
75% Efficiency	91.5
100% Efficiency	91.2
Torque (Nm)	35.85
Tstart / Tnominal	3.60
Istart / Inominal	12.20
Tmax / Tnominal	4.10
Noise (dB)	83
PTC Thermistor	PTC 130
Weight (Kg)	64
DE Bearing	6308 2RZ C3
NDE Bearing	6208 2RZ C3