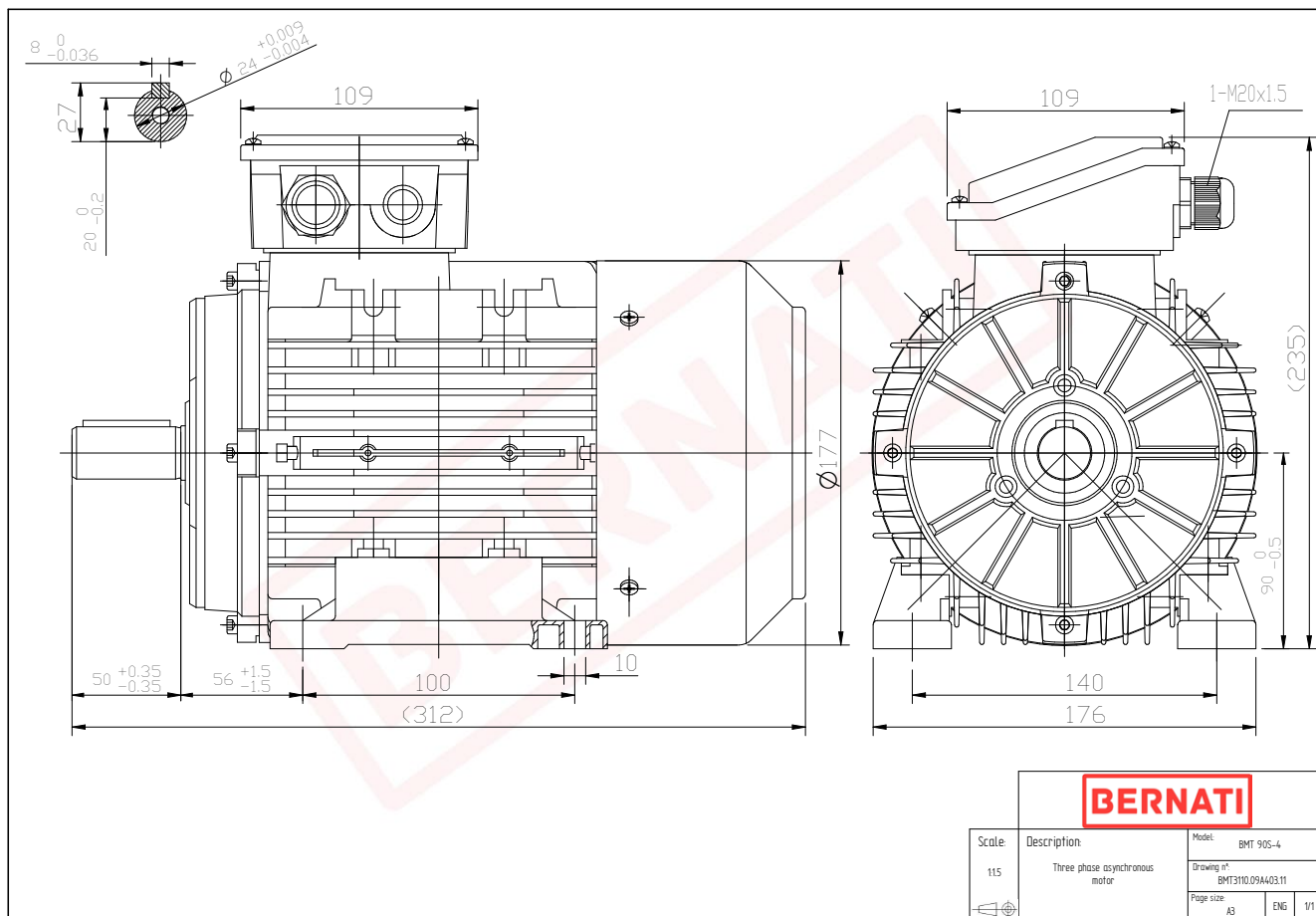


Technical Datasheet



BMT Series - Aluminum frame three phase low voltage electric motor



| | | |
|--------|--------------------------------|-------------------|
| Scale: | Description: | Model: |
| 1:1 | Three phase asynchronous motor | BMT 90S-4 |
| | | Drawing n°: |
| | | BMT3110.09A403.11 |
| | | Page size: |
| | | A3 ENG 1/1 |

| BMT | |
|----------------------|-------------------|
| Product Code | BMT3110.09A403.11 |
| Motor Type/Frame | BMT 90S-4 |
| Mounting | IM B3 |
| Efficiency Class | IE3 |
| Output Power (kW) | 1.10 |
| Speed (rpm) | 1440 |
| Tension (V) | 230/400 |
| Frequency (Hz) | 50 |
| Current (A) | 2.55 |
| Power factor (Cos Ø) | 0.74 |
| Poles | 4 |
| Insulation Class | F |
| IP Class | IP55 |
| 50% Efficiency | 81.8 |
| 75% Efficiency | 84.1 |
| 100% Efficiency | 84.1 |
| Torque (Nm) | 7.30 |
| Tstart / Tnominal | 3.70 |
| Istart / Inominal | 7.70 |
| Tmax / Tnominal | 3.80 |
| Noise (dB) | 61 |
| PTC Thermistor | PTC 130 |
| Weight (Kg) | 15 |
| DE Bearing | 6205 2RZ C3 |
| NDE Bearing | 6205 2RZ C3 |