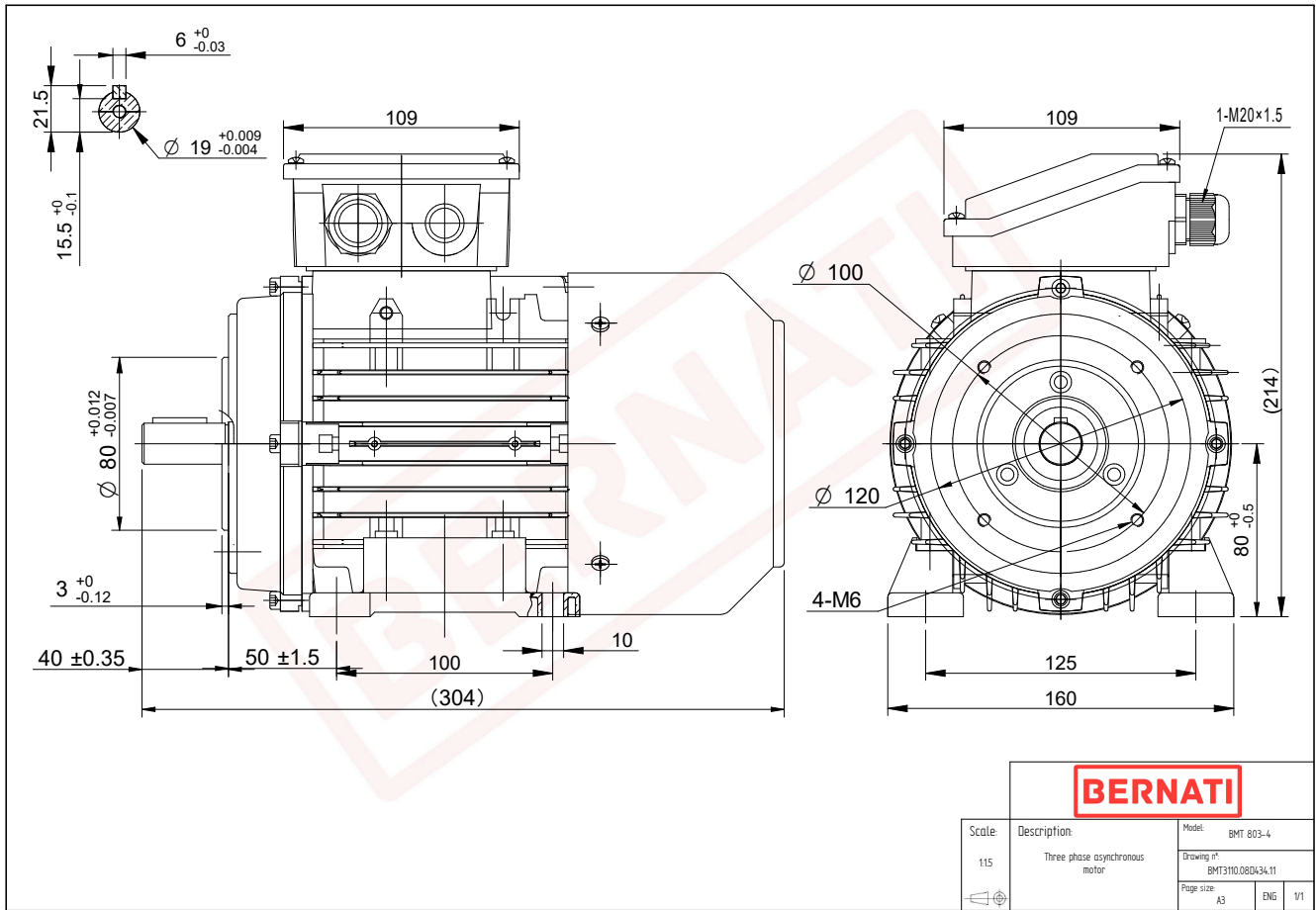


# Technical Datasheet



## BMT Series - Aluminum frame three phase low voltage electric motor



BMT	
Product Code	BMT3110.08D434.11
Motor Type/Frame	BMT 803-4
Mounting	IM B3/B14
Efficiency Class	IE3
Output Power (kW)	1.10
Speed (rpm)	1430
Tension (V)	230/400
Frequency (Hz)	50
Current (A)	2.55
Power factor (Cos Ø)	0.74
Poles	4
Insulation Class	F
IP Class	IP55
50% Efficiency	83.7
75% Efficiency	84.9
100% Efficiency	84.1
Torque (Nm)	7.35
Tstart / Tnominal	3.00
Istart / Inominal	6.60
Tmax / Tnominal	3.10
Noise (dB)	61
PTC Thermistor	PTC 130
Weight (Kg)	14
DE Bearing	6204 2RZ C3
NDE Bearing	6204 2RZ C3