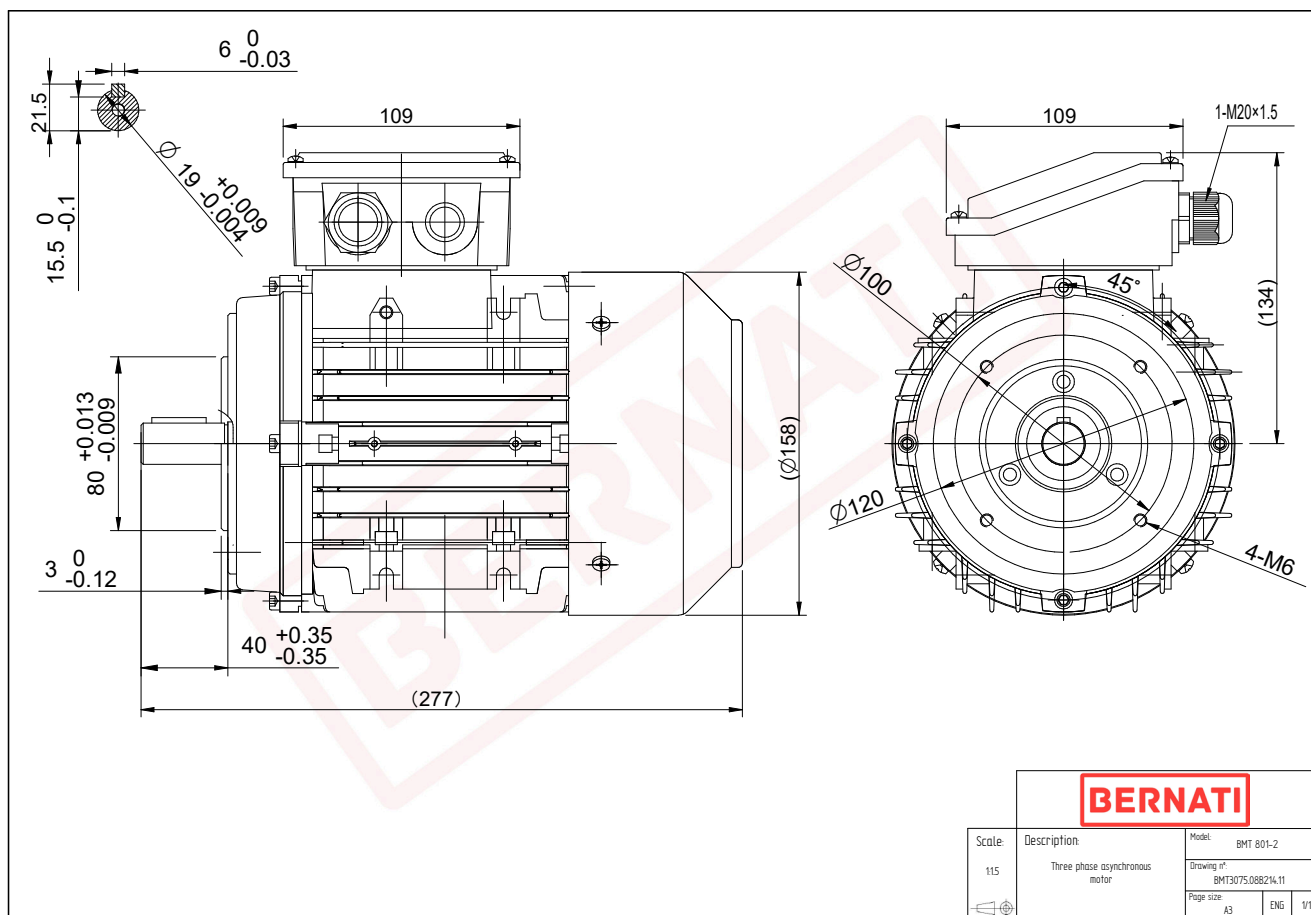


Technical Datasheet

BERNATI

BMT Series - Aluminum frame three phase low voltage electric motor



BMT

Product Code	BMT3075.08B214.11
Motor Type/Frame	BMT 801-2
Mounting	IM B14
Efficiency Class	IE3
Output Power (kW)	0.75
Speed (rpm)	2890
Tension (V)	230/400
Frequency (Hz)	50
Current (A)	1.66
Power factor (Cos Ø)	0.81
Poles	2
Insulation Class	F
IP Class	IP55
50% Efficiency	77.2
75% Efficiency	80.3
100% Efficiency	80.7
Torque (Nm)	2.48
Tstart / Tnominal	3.10
Istart / Inominal	7.40
Tmax / Tnominal	3.20
Noise (dB)	67
PTC Thermistor	PTC 130
Weight (Kg)	9
DE Bearing	6204 2RZ C3
NDE Bearing	6204 2RZ C3