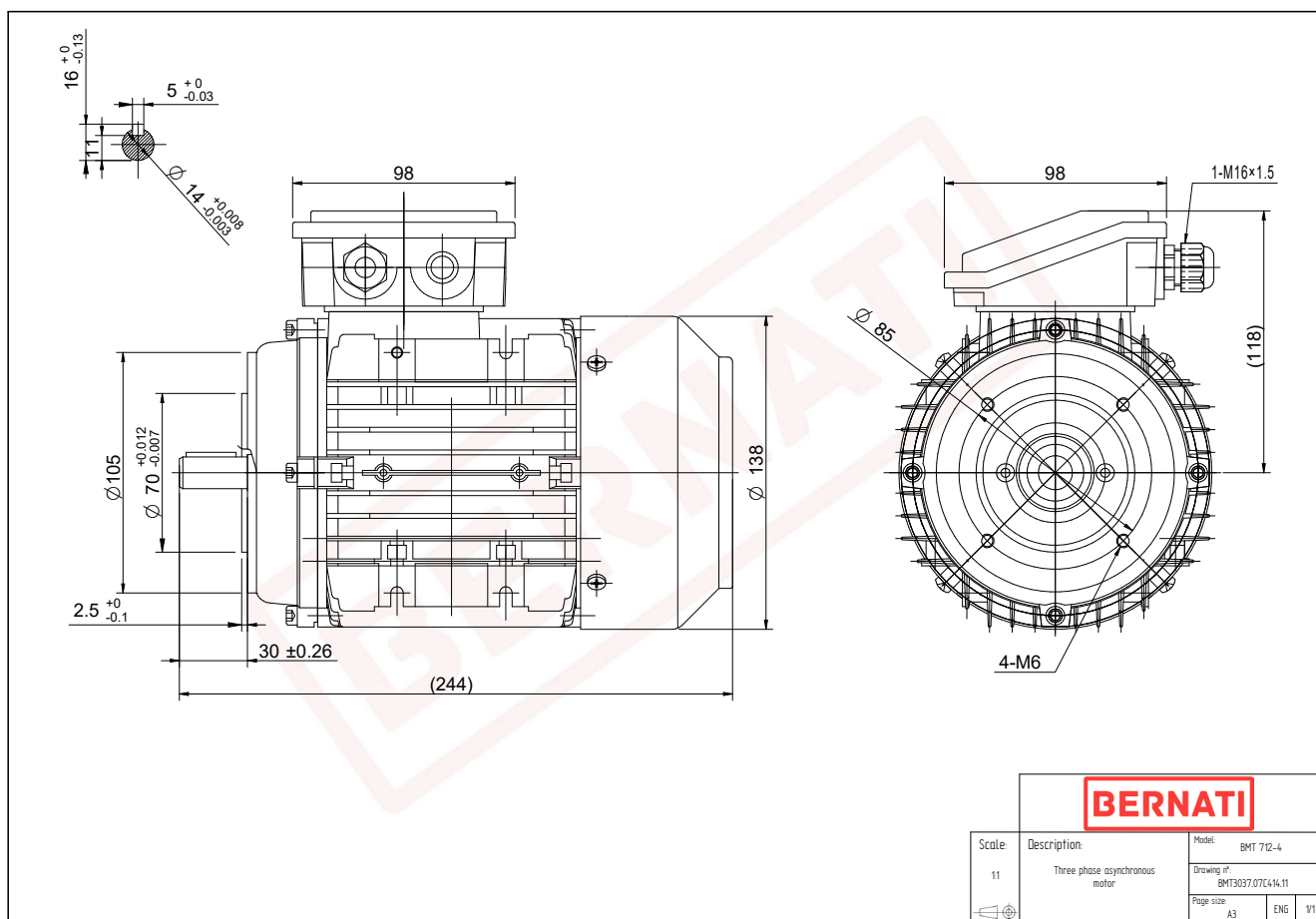


Technical Datasheet



BMT Series - Aluminum frame three phase low voltage electric motor



BMT

Product Code	BMT3037.07C414.11
Motor Type/Frame	BMT 712-4
Mounting	IM B14
Efficiency Class	IE3
Output Power (kW)	0.37
Speed (rpm)	1420
Tension (V)	230/400
Frequency (Hz)	50
Current (A)	1.02
Power factor (Cos Ø)	0.68
Poles	4
Insulation Class	F
IP Class	IP55
50% Efficiency	73.6
75% Efficiency	77.1
100% Efficiency	77.3
Torque (Nm)	2.49
Tstart / Tnominal	2.80
Istart / Inominal	5.20
Tmax / Tnominal	3.00
Noise (dB)	55
PTC Thermistor	PTC 130
Weight (Kg)	7
DE Bearing	6202 2RZ C3
NDE Bearing	6202 2RZ C3