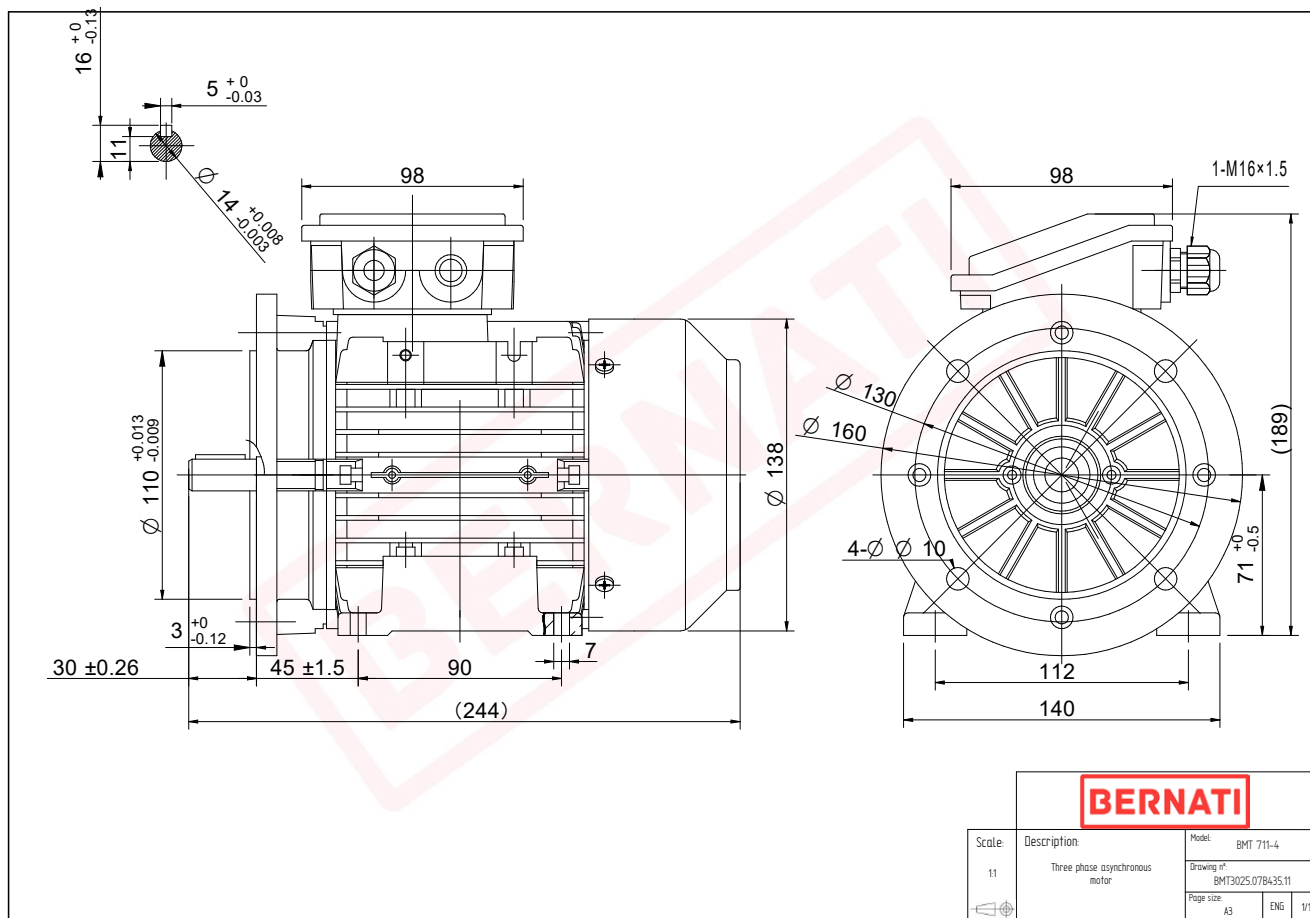


Technical Datasheet

BERNATI

BMT Series - Aluminum frame three phase low voltage electric motor



BMT	
Product Code	BMT3025.07B435.11
Motor Type/Frame	BMT 711-4
Mounting	IM B3/B5
Efficiency Class	IE3
Output Power (kW)	0.25
Speed (rpm)	1410
Tension (V)	230/400
Frequency (Hz)	50
Current (A)	0.71
Power factor (Cos Ø)	0.69
Poles	4
Insulation Class	F
IP Class	IP55
50% Efficiency	69.0
75% Efficiency	73.1
100% Efficiency	73.5
Torque (Nm)	1.69
Tstart / Tnominal	2.30
Istart / Inominal	4.50
Tmax / Tnominal	2.50
Noise (dB)	55
PTC Thermistor	PTC 130
Weight (Kg)	6
DE Bearing	6202 2RZ C3
NDE Bearing	6202 2RZ C3