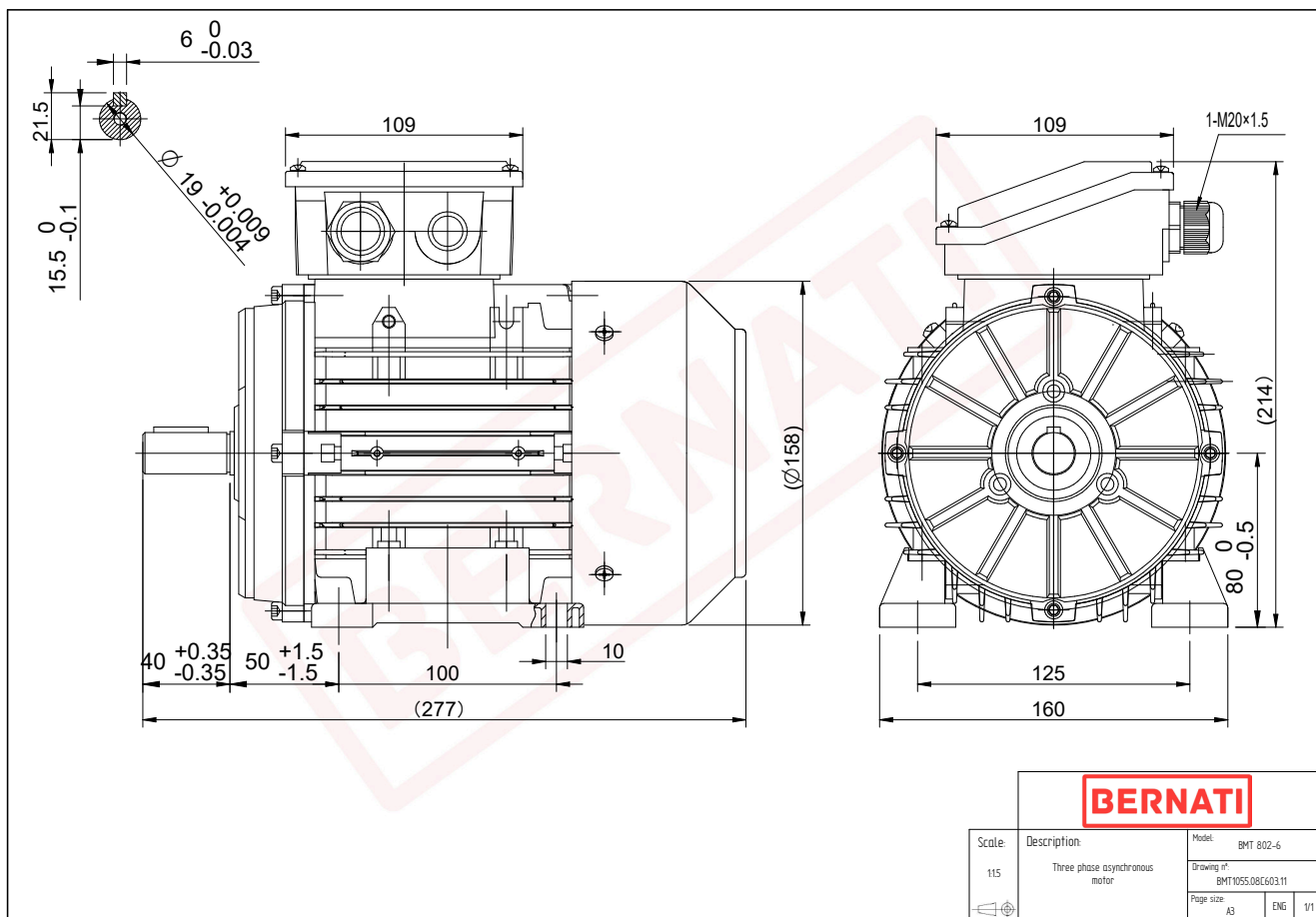


Technical Datasheet

BERNATI

BMT Series - Aluminum frame three phase low voltage electric motor



BMT	
Product Code	BMT1055.08C603.11
Motor Type/Frame	BMT 802-6
Mounting	IM B3
Efficiency Class	IE1
Output Power (kW)	0.55
Speed (rpm)	910
Tension (V)	230/400
Frequency (Hz)	50
Current (A)	1.86
Power factor (Cos Ø)	0.65
Poles	6
Insulation Class	F
IP Class	IP55
50% Efficiency	58.5
75% Efficiency	65.0
100% Efficiency	65.5
Torque (Nm)	5.80
Tstart / Tnominal	1.90
Istart / Inominal	3.80
Tmax / Tnominal	2.30
Noise (dB)	56
PTC Thermistor	N/A
Weight (Kg)	9
DE Bearing	6204 2RZ C3
NDE Bearing	6204 2RZ C3