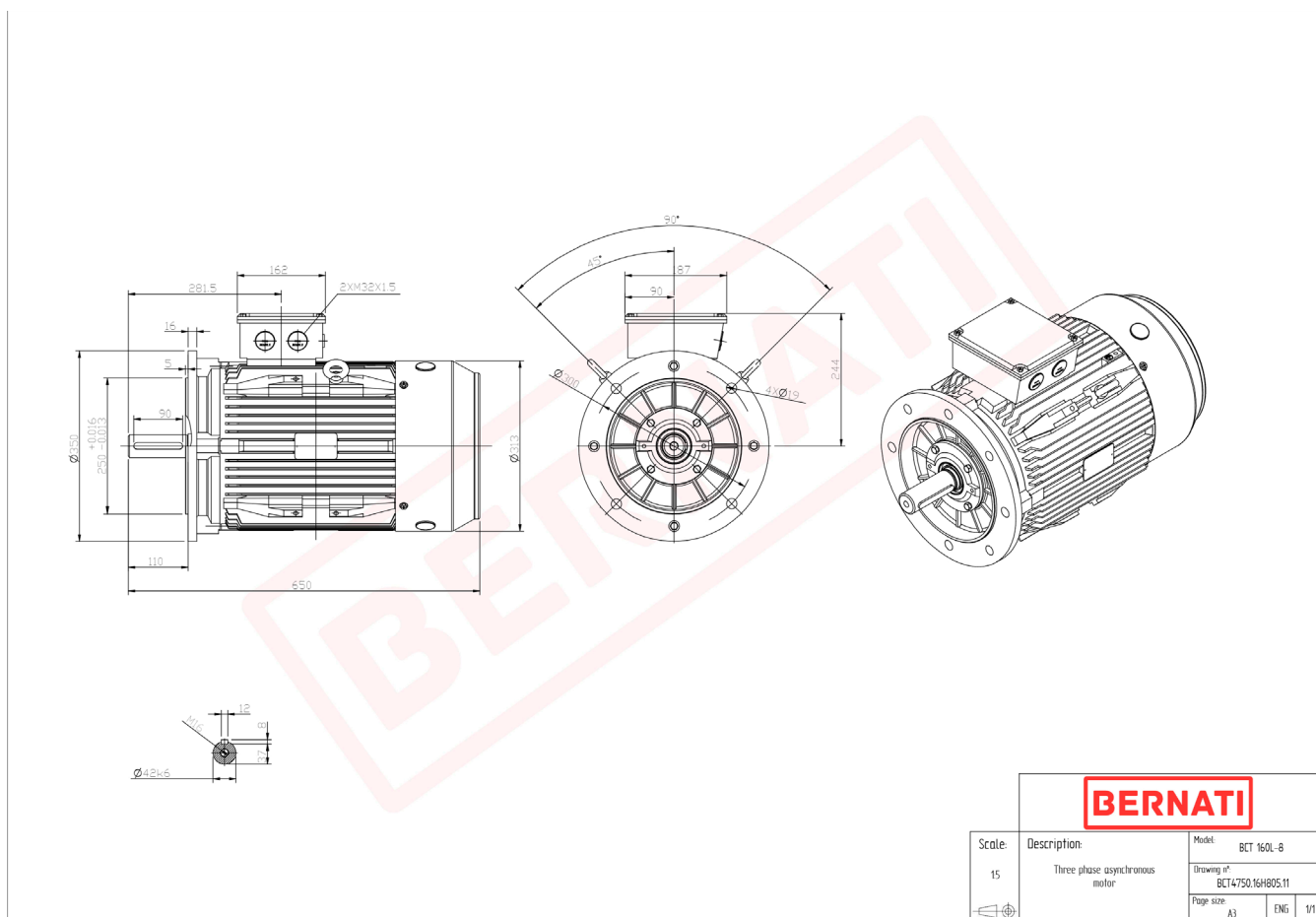


# Technical Datasheet

**BERNATI**

BCT Series - Cast iron frame three phase low voltage electric motor



<b>BERNATI</b>		
Scale:	Description:	Model:
15	Three phase asynchronous motor	BCT 160L-8
		Drawing n°:
		BCT4750.16H805.11
		Page size:
		A3 ENG 1/1

## BCT

Product Code	BCT4750.16H805.11
Motor Type/Frame	BCT 160L-8
Mounting	IM B5
Efficiency Class	IE4
Output Power (kW)	7.50
Speed (rpm)	730
Tension (V)	230/400
Frequency (Hz)	50
Current (A)	16.40
Power factor (Cos Ø)	0.70
Poles	8
Insulation Class	F
IP Class	IP55
50% Efficiency	89.0
75% Efficiency	89.5
100% Efficiency	89.3
Torque (Nm)	98.20
Tstart / Tnominal	1.80
Istart / Inominal	7.80
Tmax / Tnominal	2.00
Noise (dB)	68
PTC Thermistor	PTC 130
Weight (Kg)	161
DE Bearing	6309 C3
NDE Bearing	6309 C3