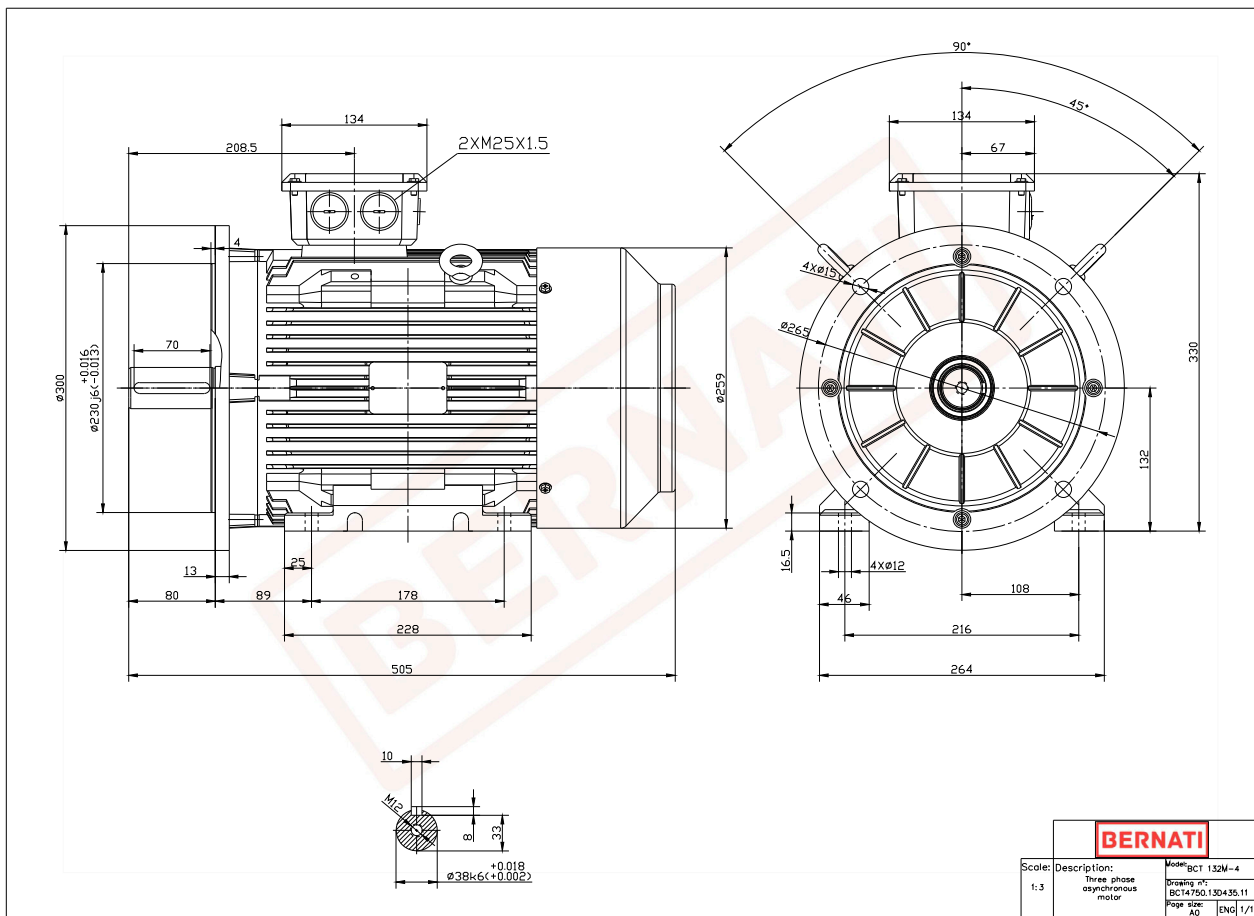


BCT Series - Cast iron frame three phase low voltage electric motor



BCT	
Product Code	BCT4750.13D435.11
Motor Type/Frame	BCT 132M-4
Mounting	IM B3/B5
Efficiency Class	IE4
Output Power (kW)	7.50
Speed (rpm)	1470
Tension (V)	230/400
Frequency (Hz)	50
Current (A)	14.40
Power factor (Cos Ø)	0.80
Poles	4
Insulation Class	F
IP Class	IP55
50% Efficiency	92.0
75% Efficiency	92.8
100% Efficiency	92.6
Torque (Nm)	48.80
Tstart / Tnominal	2.00
Istart / Inominal	9.50
Tmax / Tnominal	2.30
Noise (dB)	71
PTC Thermistor	PTC 130
Weight (Kg)	83
DE Bearing	6308 2RZ C3
NDE Bearing	6308 2RZ C3