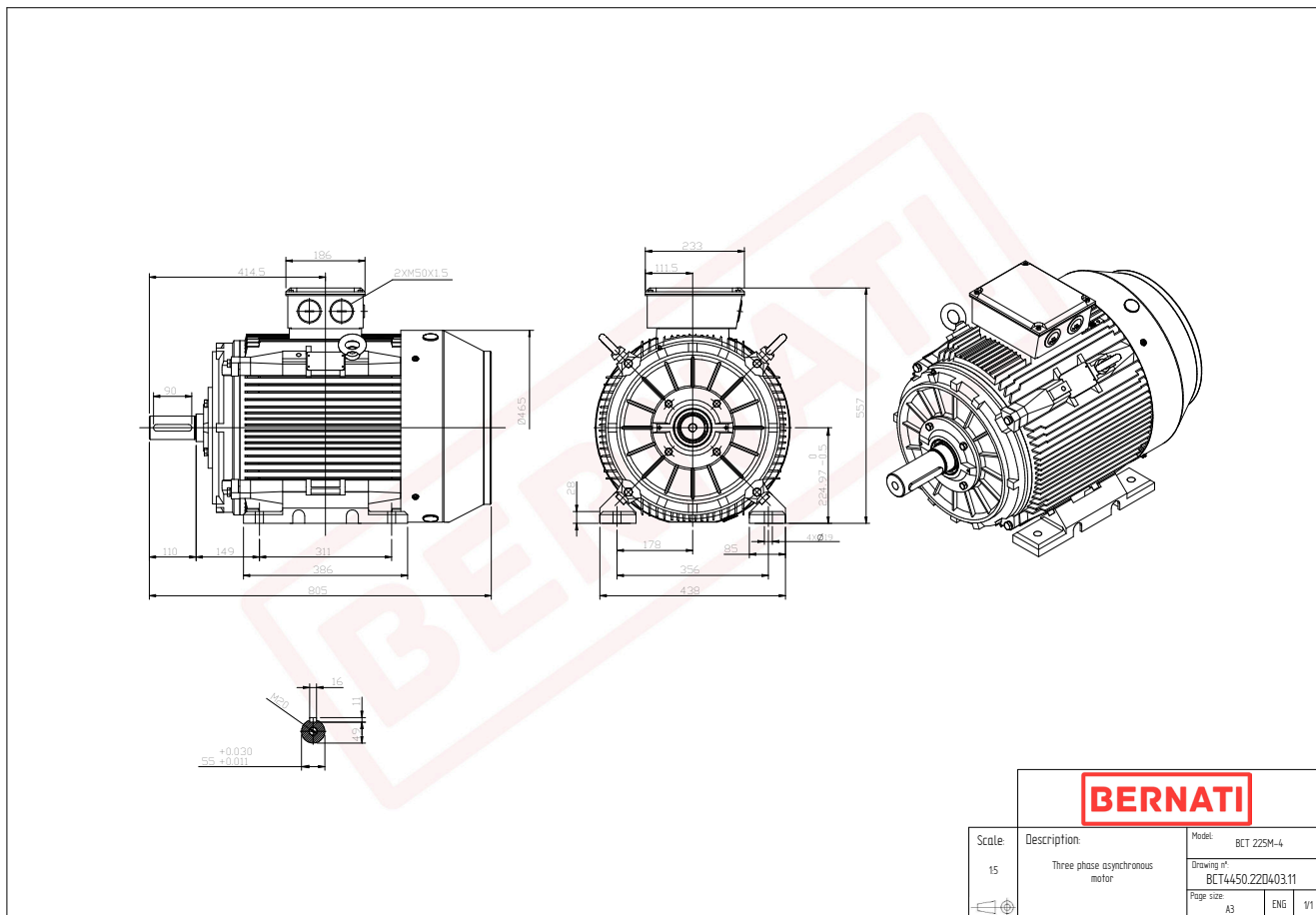


Technical Datasheet



BCT Series - Cast iron frame three phase low voltage electric motor



BERNATI		
Scale:	Description:	Model:
15	Three phase asynchronous motor	BCT 225M-4
		Drawing of:
		BCT4450.22D403.11
		Page size:
		A3 ENG V1

BCT

Product Code	BCT4450.22D403.11
Motor Type/Frame	BCT 225M-4
Mounting	IM B3
Efficiency Class	IE4
Output Power (kW)	45.00
Speed (rpm)	1480
Tension (V)	230/400
Frequency (Hz)	50
Current (A)	80.10
Power factor (Cos Ø)	0.90
Poles	4
Insulation Class	F
IP Class	IP55
50% Efficiency	95.0
75% Efficiency	95.6
100% Efficiency	95.4
Torque (Nm)	290.50
Tstart / Tnominal	2.00
Istart / Inominal	9.00
Tmax / Tnominal	2.30
Noise (dB)	78
PTC Thermistor	PTC 130
Weight (Kg)	425
DE Bearing	6313 C3
NDE Bearing	6313 C3