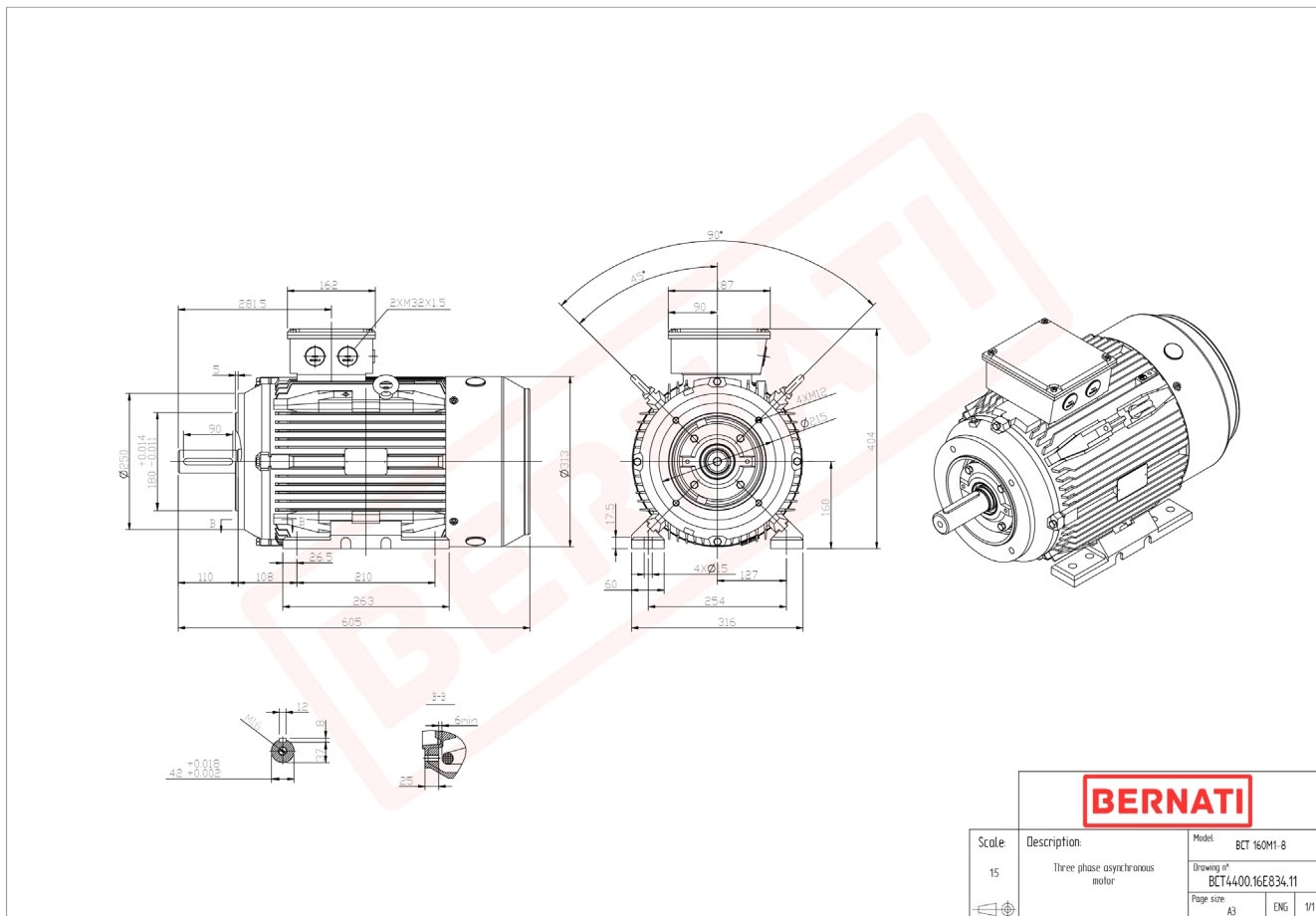


Technical Datasheet

BERNATI

BCT Series - Cast iron frame three phase low voltage electric motor



| | | |
|----------------|--------------------------------|-------------------|
| BERNATI | | |
| Scale: | Description: | Model: |
| 15 | Three phase asynchronous motor | BCT 160M1-8 |
| | | Drawing of: |
| | | BCT4400.16E834.11 |
| | | Page size: |
| | | A3 ENG 1/1 |

BCT

| | |
|----------------------|-------------------|
| Product Code | BCT4400.16E834.11 |
| Motor Type/Frame | BCT 160M1-8 |
| Mounting | IM B3/B14 |
| Efficiency Class | IE4 |
| Output Power (kW) | 4.00 |
| Speed (rpm) | 725 |
| Tension (V) | 230/400 |
| Frequency (Hz) | 50 |
| Current (A) | 9.30 |
| Power factor (Cos Ø) | 0.70 |
| Poles | 8 |
| Insulation Class | F |
| IP Class | IP55 |
| 50% Efficiency | 86.9 |
| 75% Efficiency | 87.3 |
| 100% Efficiency | 87.1 |
| Torque (Nm) | 52.70 |
| Tstart / Tnominal | 1.80 |
| Istart / Inominal | 7.90 |
| Tmax / Tnominal | 2.00 |
| Noise (dB) | 68 |
| PTC Thermistor | PTC 130 |
| Weight (Kg) | 117 |
| DE Bearing | 6309 C3 |
| NDE Bearing | 6309 C3 |