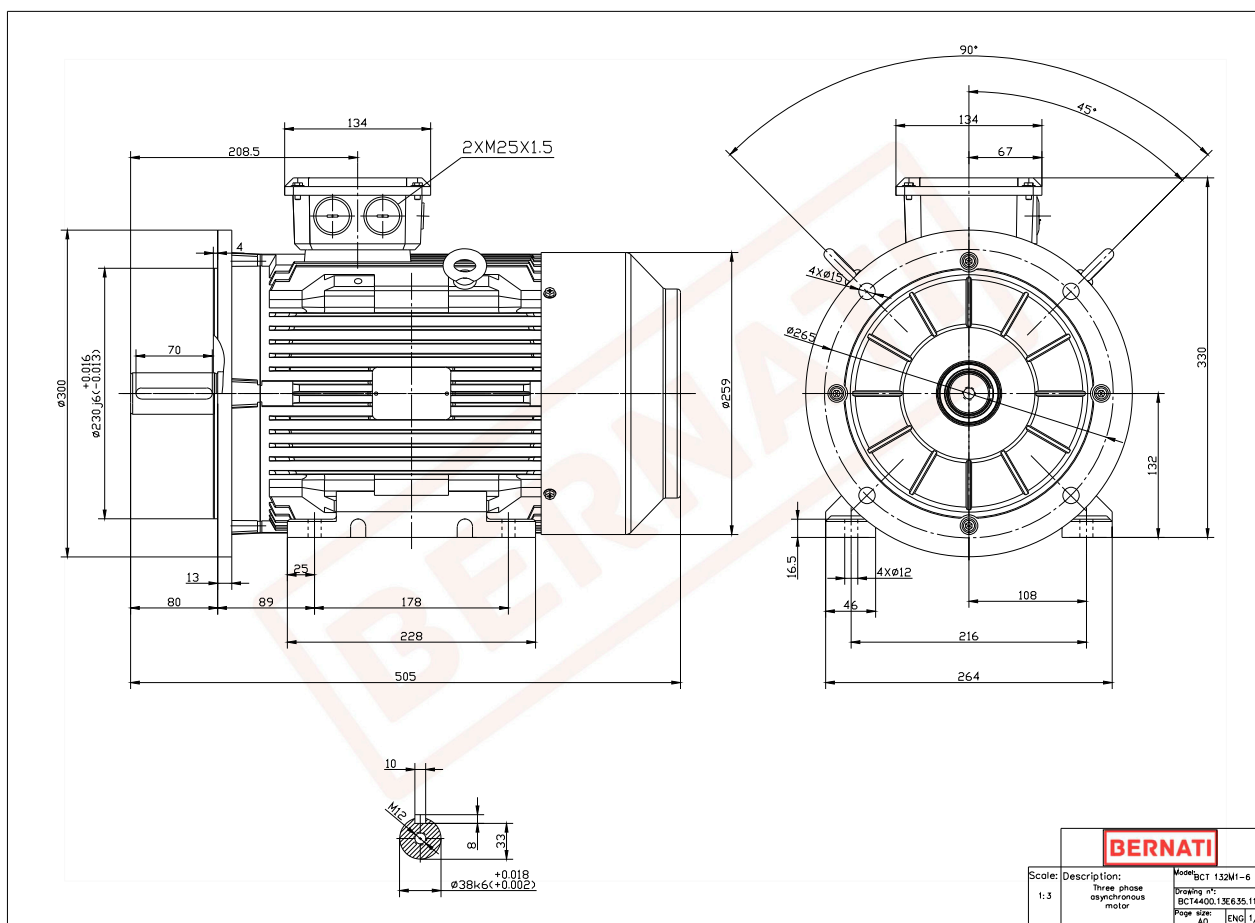


BCT Series - Cast iron frame three phase low voltage electric motor



BERNATI	
Scale: 1:3	Description: Three phase asynchronous motor
Model: BCT 132M1-6	Drawing n°: BCT4400.13E635.11
Page size: A0	Page: 1/1

BCT

Product Code	BCT4400.13E635.11
Motor Type/Frame	BCT 132M1-6
Mounting	IM B3/B5
Efficiency Class	IE4
Output Power (kW)	4.00
Speed (rpm)	970
Tension (V)	230/400
Frequency (Hz)	50
Current (A)	9.00
Power factor (Cos ϕ)	0.70
Poles	6
Insulation Class	F
IP Class	IP55
50% Efficiency	89.4
75% Efficiency	89.9
100% Efficiency	89.5
Torque (Nm)	39.40
T _{start} / T _{nominal}	2.20
I _{start} / I _{nominal}	8.00
T _{max} / T _{nominal}	2.10
Noise (dB)	69
PTC Thermistor	PTC 130
Weight (Kg)	67
DE Bearing	6308 2RZ C3
NDE Bearing	6308 2RZ C3