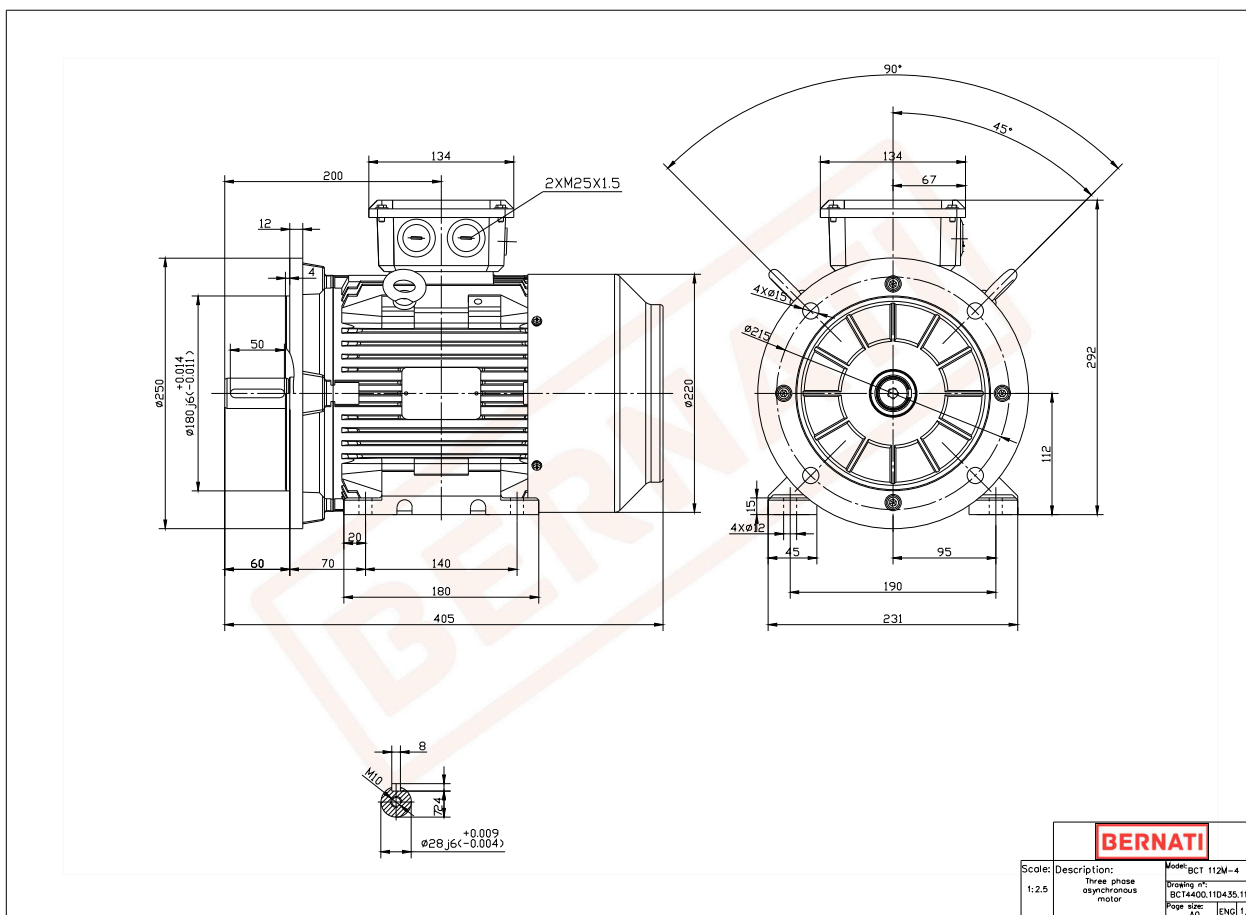


# Technical Datasheet

**BERNATI**

BCT Series - Cast iron frame three phase low voltage electric motor



<b>BERNATI</b>		
Scale: 1:2.5	Description: Three phase asynchronous motor	Model: BCT 112M-4 Drawing n°: BCT4400.11D435.11 Page size: A0 ENG 1/1

## BCT

Product Code	BCT4400.11D435.11
Motor Type/Frame	BCT 112M-4
Mounting	IM B3/B5
Efficiency Class	IE4
Output Power (kW)	4.00
Speed (rpm)	1465
Tension (V)	230/400
Frequency (Hz)	50
Current (A)	7.90
Power factor (Cos $\phi$ )	0.80
Poles	4
Insulation Class	F
IP Class	IP55
50% Efficiency	90.9
75% Efficiency	91.3
100% Efficiency	91.1
Torque (Nm)	26.10
Tstart / Tnominal	2.30
Istart / Inominal	9.50
Tmax / Tnominal	2.30
Noise (dB)	65
PTC Thermistor	PTC 130
Weight (Kg)	61
DE Bearing	6306 2RZ C3
NDE Bearing	6306 2RZ C3