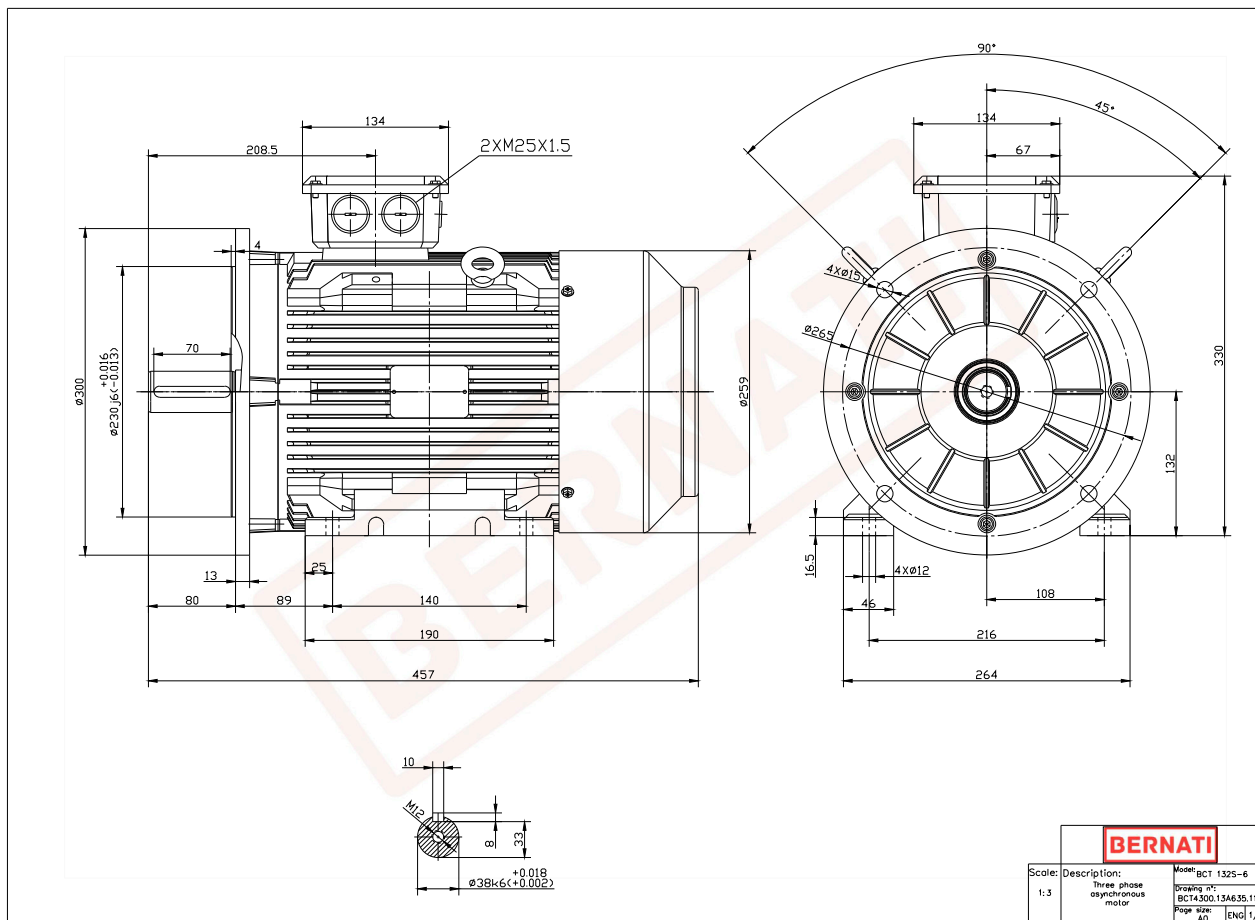


## BCT Series - Cast iron frame three phase low voltage electric motor



<b>BERNATI</b>	
Scale: 1:3	Description: Three phase asynchronous motor
Model: BCT 132S-6	Drawing n°: BCT4300.13A635.11
	Page size: A0
	ENQ 1/1

### BCT

Product Code	BCT4300.13A635.11
Motor Type/Frame	BCT 132S-6
Mounting	IM B3/B5
Efficiency Class	IE4
Output Power (kW)	3.00
Speed (rpm)	970
Tension (V)	230/400
Frequency (Hz)	50
Current (A)	6.90
Power factor (Cos Ø)	0.70
Poles	6
Insulation Class	F
IP Class	IP55
50% Efficiency	88.6
75% Efficiency	88.9
100% Efficiency	88.6
Torque (Nm)	29.60
Tstart / Tnominal	2.20
Istart / Inominal	7.50
Tmax / Tnominal	2.10
Noise (dB)	69
PTC Thermistor	PTC 130
Weight (Kg)	65
DE Bearing	6308 2RZ C3
NDE Bearing	6308 2RZ C3