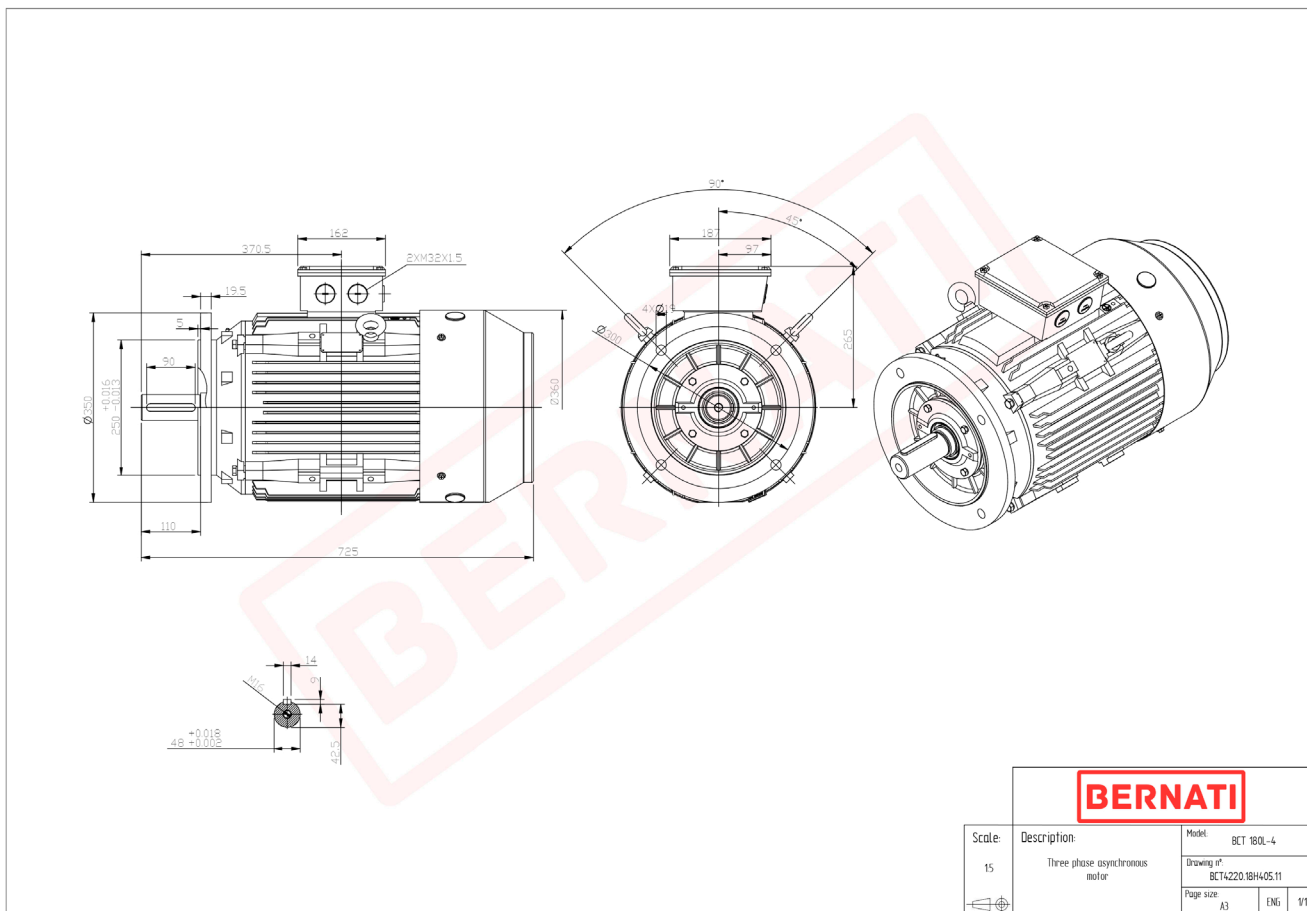


Technical Datasheet

BERNATI

BCT Series - Cast iron frame three phase low voltage electric motor



BERNATI		
Scale:	Description:	Model:
15	Three phase asynchronous motor	BCT 180L-4
		Drawing n°:
		BCT4220.18H405.11
		Page size:
		A3
		ENG
		1/1

BCT

Product Code	BCT4220.18H405.11
Motor Type/Frame	BCT 180M-4
Mounting	IM B5
Efficiency Class	IE4
Output Power (kW)	22.00
Speed (rpm)	1475
Tension (V)	230/400
Frequency (Hz)	50
Current (A)	39.50
Power factor (Cos Ø)	0.90
Poles	4
Insulation Class	F
IP Class	IP55
50% Efficiency	93.8
75% Efficiency	94.7
100% Efficiency	94.2
Torque (Nm)	142.50
Tstart / Tnominal	2.00
Istart / Inominal	9.50
Tmax / Tnominal	2.30
Noise (dB)	76
PTC Thermistor	PTC 130
Weight (Kg)	249
DE Bearing	6311 C3
NDE Bearing	6311 C3