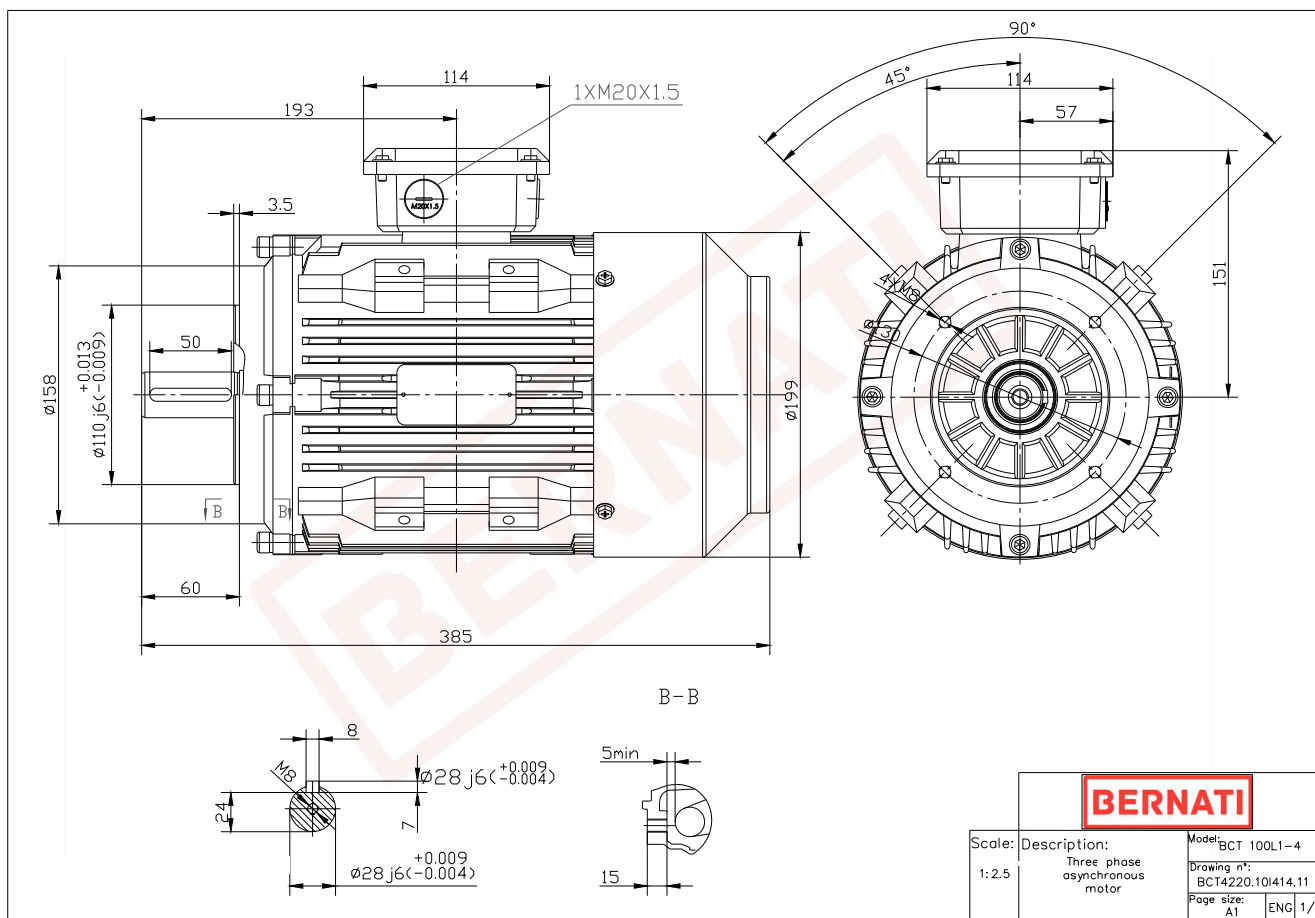


BCT Series - Cast iron frame three phase low voltage electric motor



BCT

Product Code	BCT4220.10I414.11
Motor Type/Frame	BCT 100L1-4
Mounting	IM B14
Efficiency Class	IE4
Output Power (kW)	2.20
Speed (rpm)	1450
Tension (V)	230/400
Frequency (Hz)	50
Current (A)	4.50
Power factor (Cos Ø)	0.80
Poles	4
Insulation Class	F
IP Class	IP55
50% Efficiency	88.4
75% Efficiency	89.7
100% Efficiency	89.5
Torque (Nm)	14.50
Tstart / Tnominal	2.30
Istart / Inominal	9.00
Tmax / Tnominal	2.30
Noise (dB)	64
PTC Thermistor	PTC 130
Weight (Kg)	39
DE Bearing	6206 2RZ C3
NDE Bearing	6206 2RZ C3