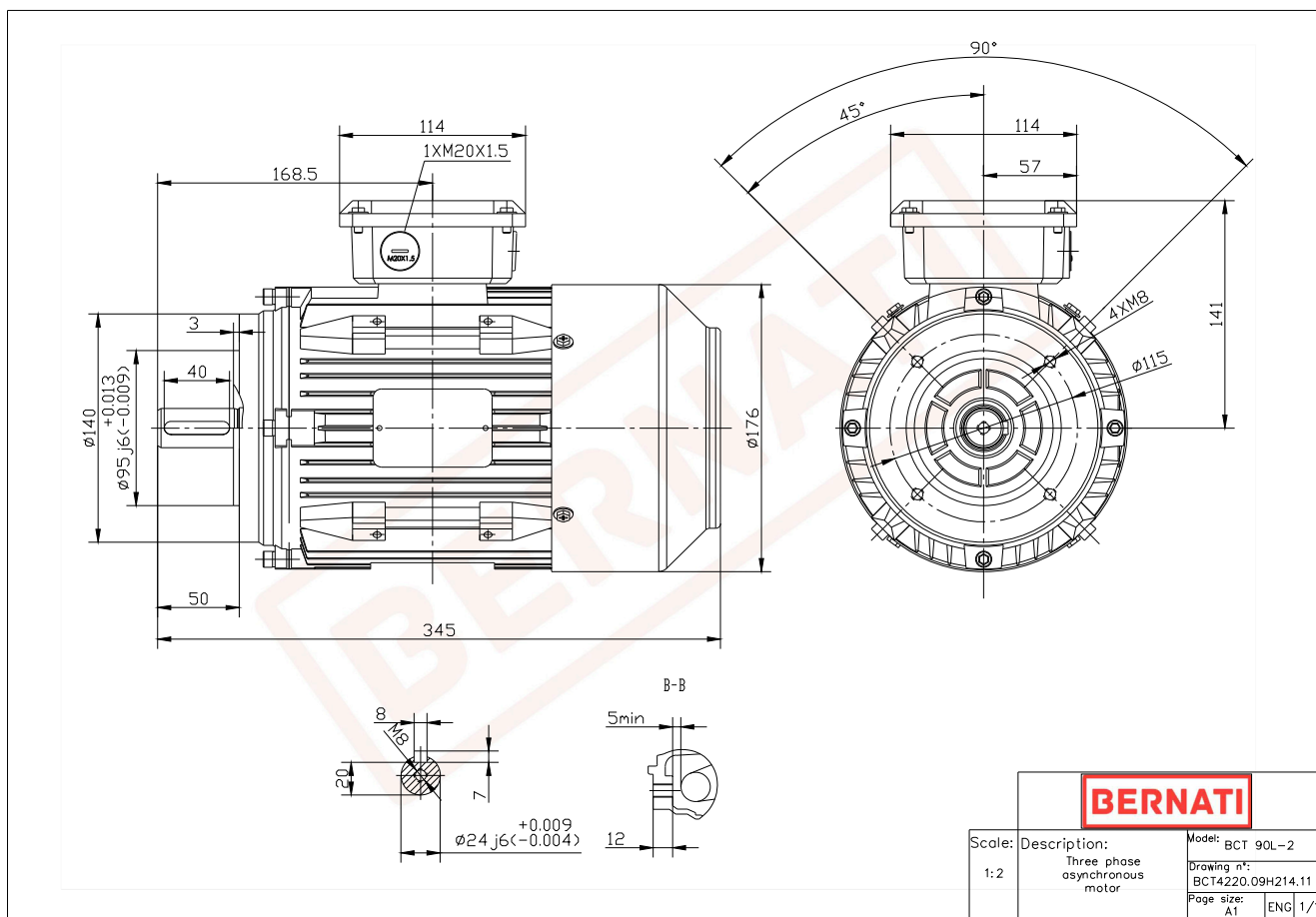


Technical Datasheet

BERNATI

BCT Series - Cast iron frame three phase low voltage electric motor



BCT

Product Code	BCT4220.09H214.11
Motor Type/Frame	BCT 90L-2
Mounting	IM B14
Efficiency Class	IE4
Output Power (kW)	2.20
Speed (rpm)	2940
Tension (V)	230/400
Frequency (Hz)	50
Current (A)	4.20
Power factor (Cos Ø)	0.90
Poles	2
Insulation Class	F
IP Class	IP55
50% Efficiency	87.8
75% Efficiency	88.3
100% Efficiency	88.0
Torque (Nm)	7.20
T _{start} / T _{nominal}	2.20
I _{start} / I _{nominal}	9.00
T _{max} / T _{nominal}	2.30
Noise (dB)	67
PTC Thermistor	PTC 130
Weight (Kg)	26
DE Bearing	6205 2RZ C3
NDE Bearing	6205 2RZ C3