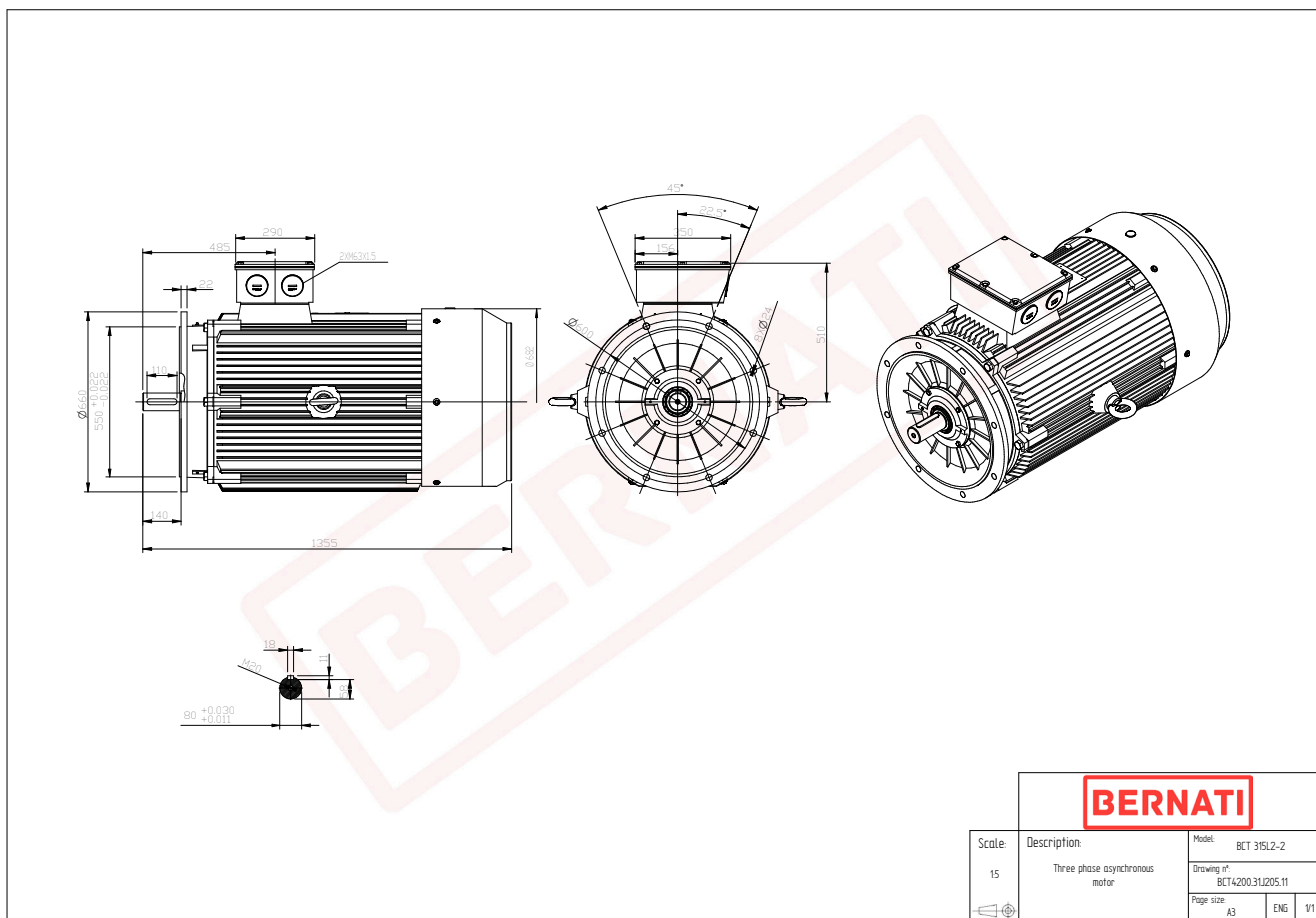


Technical Datasheet

BERNATI

BCT Series - Cast iron frame three phase low voltage electric motor



BCT

Product Code	BCT4200.31J205.11
Motor Type/Frame	BCT 315L1-2
Mounting	IM B5
Efficiency Class	IE4
Output Power (kW)	160.00
Speed (rpm)	2980
Tension (V)	230/400
Frequency (Hz)	50
Current (A)	269.50
Power factor (Cos Ø)	0.90
Poles	2
Insulation Class	F
IP Class	IP55
50% Efficiency	95.8
75% Efficiency	96.3
100% Efficiency	96.3
Torque (Nm)	531.00
Tstart / Tnominal	1.80
Istart / Inominal	8.50
Tmax / Tnominal	2.20
Noise (dB)	92
PTC Thermistor	PTC 130
Weight (Kg)	1321
DE Bearing	6317 C3
NDE Bearing	6317 C3