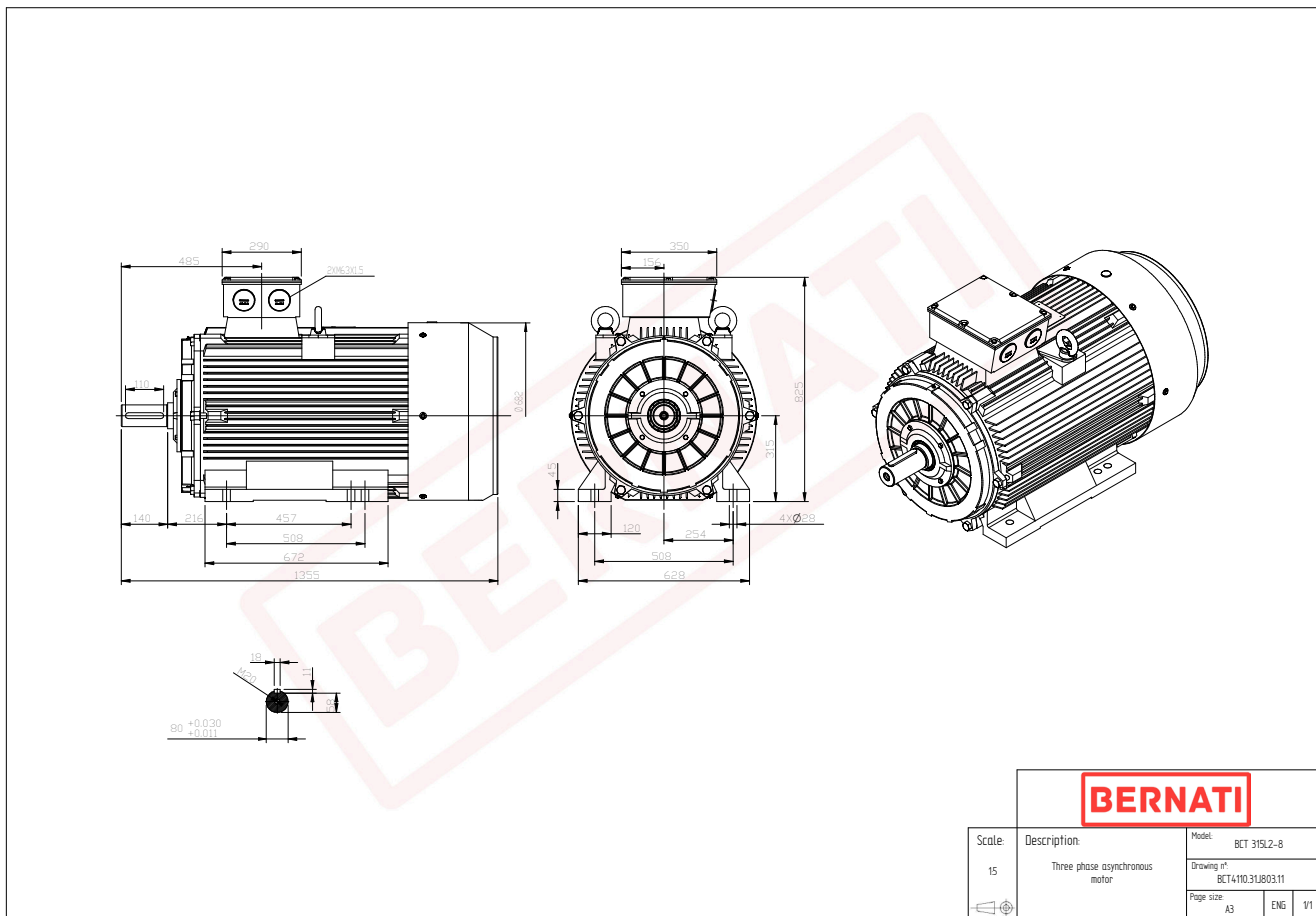


# Technical Datasheet

**BERNATI**

BCT Series - Cast iron frame three phase low voltage electric motor



## BCT

Product Code	BCT4110.31J803.11
Motor Type/Frame	BCT 315L2-8
Mounting	IM B3
Efficiency Class	IE4
Output Power (kW)	110.00
Speed (rpm)	740
Tension (V)	230/400
Frequency (Hz)	50
Current (A)	207.00
Power factor (Cos Ø)	0.80
Poles	8
Insulation Class	F
IP Class	IP55
50% Efficiency	94.5
75% Efficiency	94.9
100% Efficiency	94.7
Torque (Nm)	1410.70
Tstart / Tnominal	1.60
Istart / Inominal	7.70
Tmax / Tnominal	2.00
Noise (dB)	82
PTC Thermistor	PTC 130
Weight (Kg)	1316
DE Bearing	NU319
NDE Bearing	6319 C3