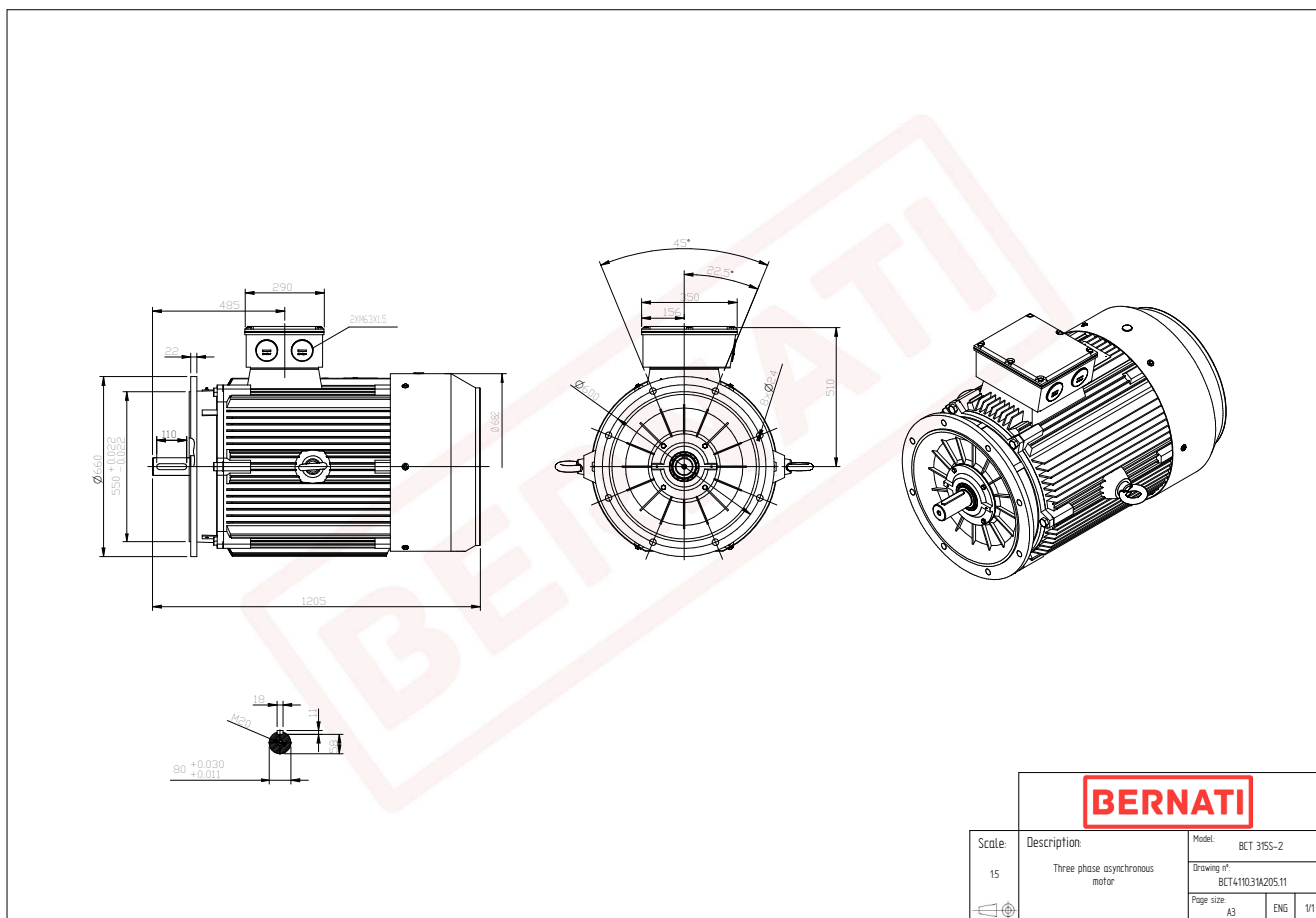


Technical Datasheet

BERNATI

BCT Series - Cast iron frame three phase low voltage electric motor



BCT

Product Code	BCT4110.31A205.11
Motor Type/Frame	BCT 315S-2
Mounting	IM B5
Efficiency Class	IE4
Output Power (kW)	110.00
Speed (rpm)	2980
Tension (V)	230/400
Frequency (Hz)	50
Current (A)	185,80
Power factor (Cos Ø)	0.90
Poles	2
Insulation Class	F
IP Class	IP55
50% Efficiency	95.6
75% Efficiency	96.1
100% Efficiency	96.0
Torque (Nm)	352.70
Tstart / Tnominal	1.80
Istart / Inominal	8.50
Tmax / Tnominal	2.30
Noise (dB)	92
PTC Thermistor	PTC 130
Weight (Kg)	1110
DE Bearing	6317 C3
NDE Bearing	6317 C3