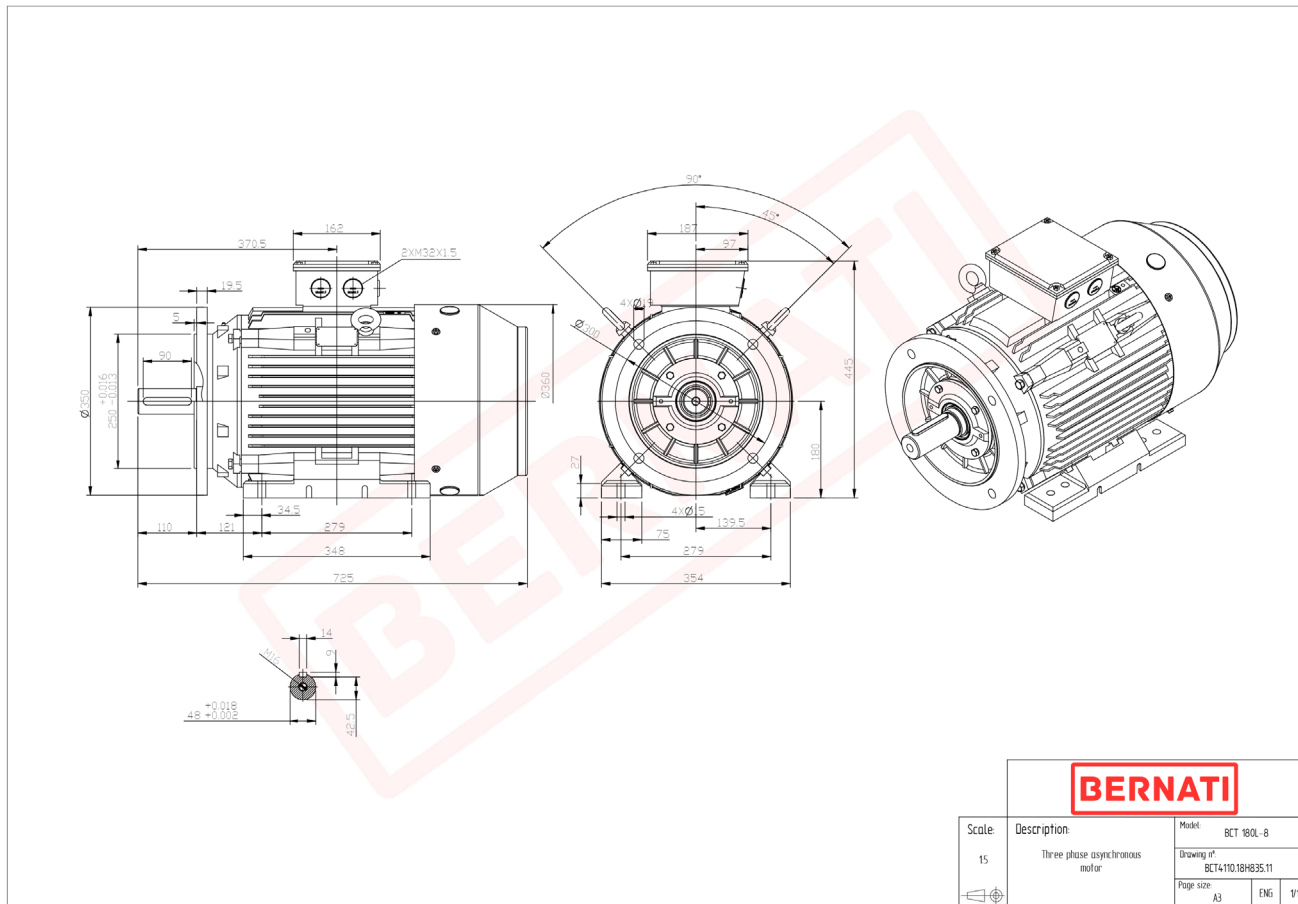


Technical Datasheet



BCT Series - Cast iron frame three phase low voltage electric motor



Scale:	15	Description:	Three phase asynchronous motor	Model:	BCT 180L-8
				Drawing n°:	BCT4110.18H835.11
				Page size:	A3 ENG V1

BCT	
Product Code	BCT4110.18H835.11
Motor Type/Frame	BCT 180L-8
Mounting	IM B3/B5
Efficiency Class	IE4
Output Power (kW)	11.00
Speed (rpm)	735
Tension (V)	230/400
Frequency (Hz)	50
Current (A)	23.70
Power factor (Cos Ø)	0.70
Poles	8
Insulation Class	F
IP Class	IP55
50% Efficiency	90.0
75% Efficiency	90.6
100% Efficiency	90.4
Torque (Nm)	143.00
Tstart / Tnominal	1.80
Istart / Inominal	7.90
Tmax / Tnominal	2.00
Noise (dB)	70
PTC Thermistor	PTC 130
Weight (Kg)	188
DE Bearing	6311 C3
NDE Bearing	6311 C3