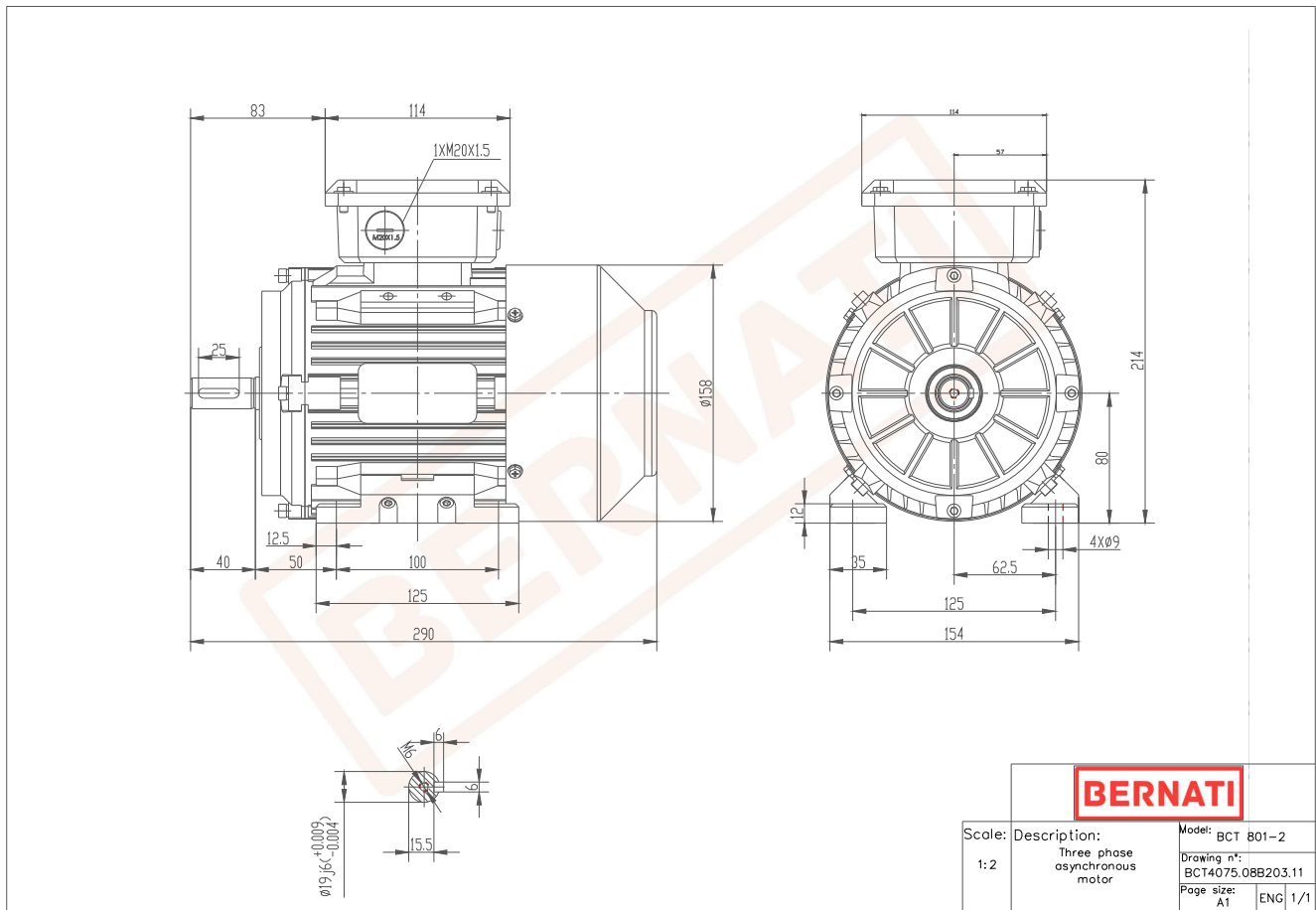


# Technical Datasheet

**BERNATI**

BCT Series - Cast iron frame three phase low voltage electric motor



**BERNATI**

Scale:	Description:	Model:
1:2	Three phase asynchronous motor	BCT 801-2
		Drawing n°:
		BCT4075.08B203.11
		Page size:
		A1 ENG 1/1

## BCT

Product Code	BCT4075.08B203.11
Motor Type/Frame	BCT 801-2
Mounting	IM B3
Efficiency Class	IE4
Output Power (kW)	0.75
Speed (rpm)	2920
Tension (V)	230/400
Frequency (Hz)	50
Current (A)	1.60
Power factor (Cos $\phi$ )	0.80
Poles	2
Insulation Class	F
IP Class	IP55
50% Efficiency	82.0
75% Efficiency	83.7
100% Efficiency	83.5
Torque (Nm)	2.50
T <sub>start</sub> / T <sub>nominal</sub>	2.20
I <sub>start</sub> / I <sub>nominal</sub>	8.50
T <sub>max</sub> / T <sub>nominal</sub>	2.30
Noise (dB)	62
PTC Thermistor	PTC 130
Weight (Kg)	16
DE Bearing	6204 2RZ C3
NDE Bearing	6204 2RZ C3