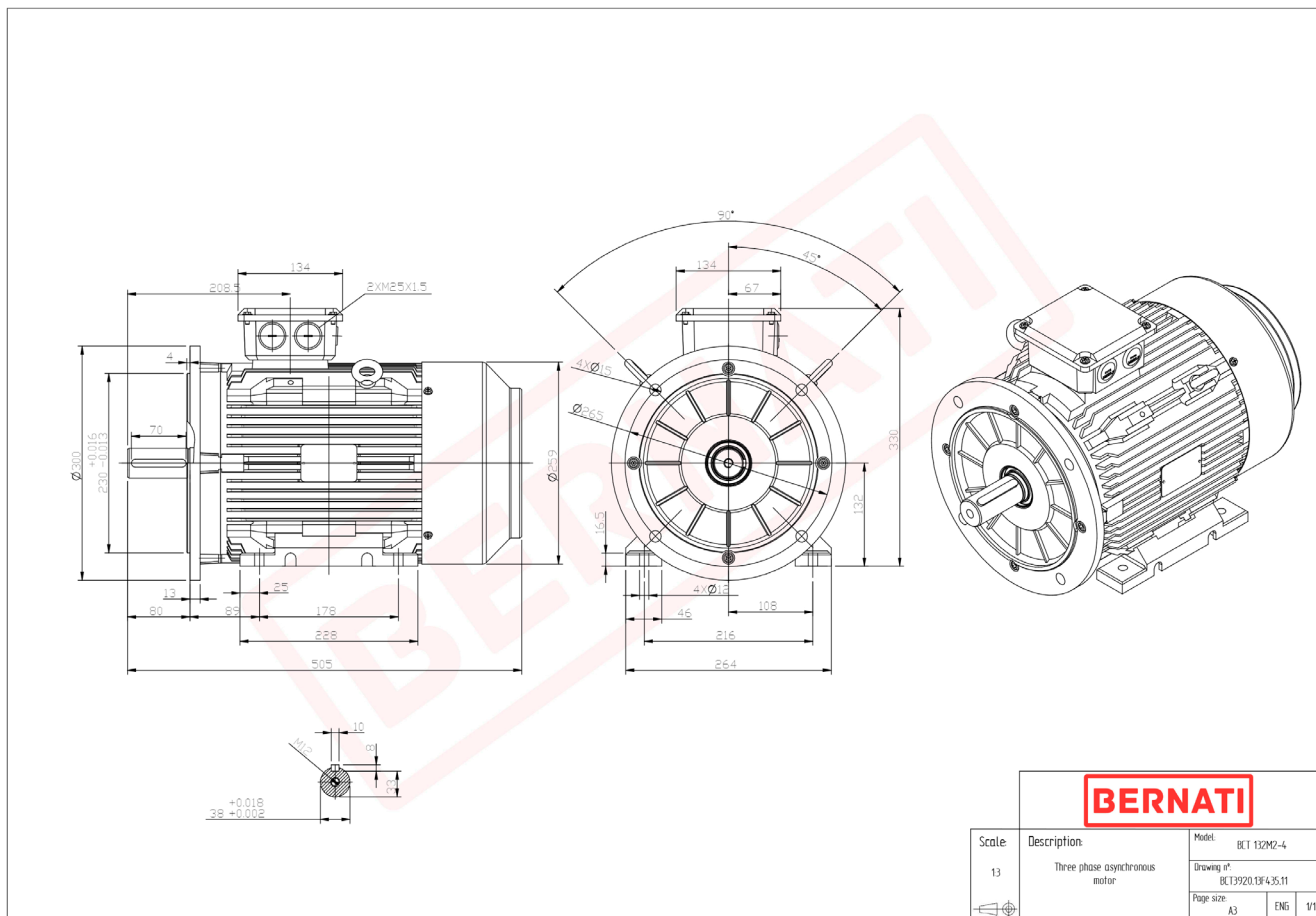


# Technical Datasheet

**BERNATI**

BCT Series - Cast iron frame three phase low voltage electric motor



## BCT

Product Code	BCT3920.13F435.11
Motor Type/Frame	BCT 132M2-4
Mounting	IM B3/B5
Efficiency Class	IE3
Output Power (kW)	9.20
Speed (rpm)	1440
Tension (V)	230/400
Frequency (Hz)	50
Current (A)	17.20
Power factor (Cos Ø)	0.90
Poles	4
Insulation Class	F
IP Class	IP55
50% Efficiency	90.5
75% Efficiency	91.8
100% Efficiency	90.9
Torque (Nm)	61.00
Tstart / Tnominal	2.50
Istart / Inominal	9.00
Tmax / Tnominal	3.00
Noise (dB)	71
PTC Thermistor	PTC 130
Weight (Kg)	88
DE Bearing	6308 2RZ C3
NDE Bearing	6308 2RZ C3