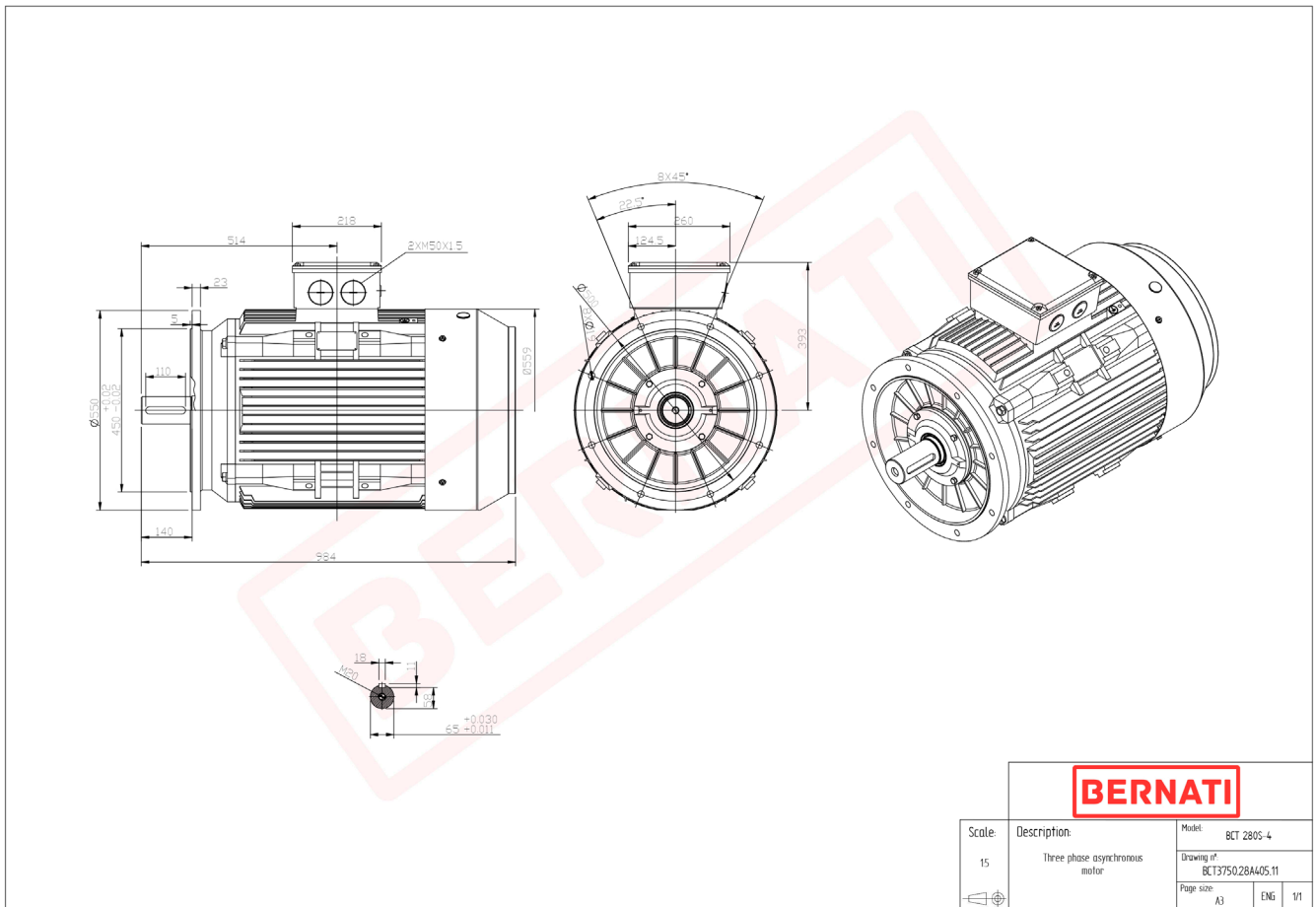


# Technical Datasheet

**BERNATI**

BCT Series - Cast iron frame three phase low voltage electric motor



## BCT

Product Code	BCT3750.28A405.11
Motor Type/Frame	BCT 280S-4
Mounting	IM B5
Efficiency Class	IE3
Output Power (kW)	75.00
Speed (rpm)	1480
Tension (V)	230/400
Frequency (Hz)	50
Current (A)	131.00
Power factor (Cos Ø)	0.90
Poles	4
Insulation Class	F
IP Class	IP55
50% Efficiency	94.8
75% Efficiency	95.1
100% Efficiency	95.0
Torque (Nm)	484.00
Tstart / Tnominal	2.50
Istart / Inominal	10.00
Tmax / Tnominal	2.80
Noise (dB)	86
PTC Thermistor	PTC 130
Weight (Kg)	673
DE Bearing	6316 C3
NDE Bearing	6316 C3