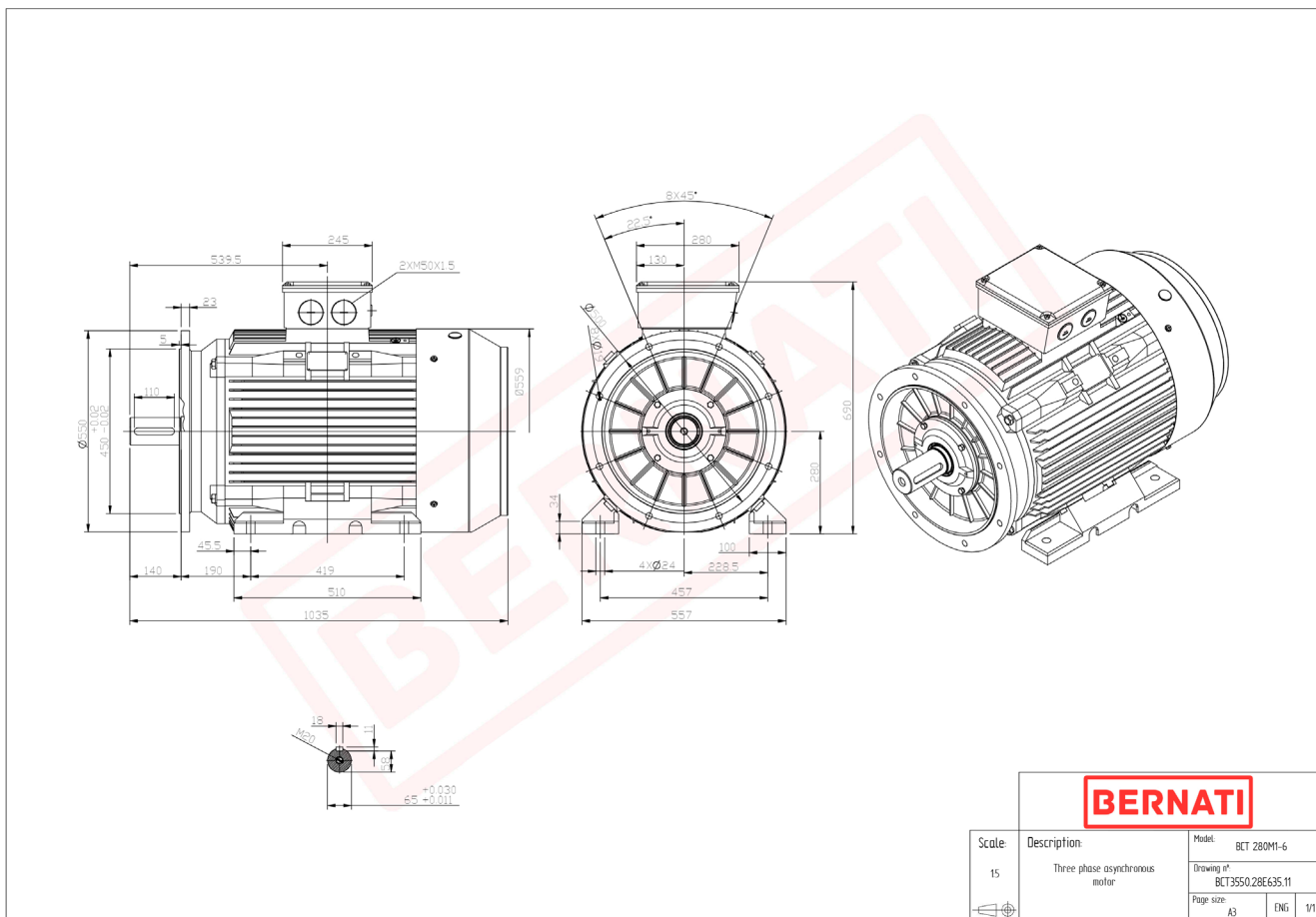


# Technical Datasheet

**BERNATI**

BCT Series - Cast iron frame three phase low voltage electric motor



<b>BERNATI</b>		
Scale:	Description:	Model:
15	Three phase asynchronous motor	BCT 280M1-6
		Drawing n°:
		BCT3550.28E635.11
		Page size:
		A3    ENG    1/1

## BCT

Product Code	BCT3550.28E635.11
Motor Type/Frame	BCT 280M1-6
Mounting	IM B3/B5
Efficiency Class	IE3
Output Power (kW)	55.00
Speed (rpm)	980
Tension (V)	230/400
Frequency (Hz)	50
Current (A)	99.30
Power factor (Cos Ø)	0.90
Poles	6
Insulation Class	F
IP Class	IP55
50% Efficiency	93.4
75% Efficiency	95.0
100% Efficiency	94.1
Torque (Nm)	536.00
Tstart / Tnominal	2.50
Istart / Inominal	10.00
Tmax / Tnominal	2.80
Noise (dB)	80
PTC Thermistor	PTC 130
Weight (Kg)	624
DE Bearing	6316 C3
NDE Bearing	6316 C3